

INDEX OF STANDARD DRAWINGS

GENERAL DRAWINGS

- G1 Underground Utility Location Standards - **2013**
- G2 Gravel Road Standard Detail - **April 2022**
- G3 Utility Inspection Jurisdiction / Utility Installation Contractor Requirement - **March 2022**
- G4 Capital Project Informational Sign - **2013**
- GS Utility Main Locate Station Detail – **March 2022**

SEWER / WATER COMBINATION DRAWINGS

- SW1 Casing Length Requirement – **December 2022**
- SW2 Pipe Sleeve/Casing – **Revised March 2023**
- SW3 Standard Service Markers

WATER DRAWINGS

- W1 3/4" Single, 3/4" Double, or 1" Single Water Service Connection - **Revised April 2024**
- W2 3/4" and 1" Single Water Service Connection - **March 2022**
- W3 3/4" Double Water Service Connection – **June 2019**
- W4 1 1/2" to 2" Water Service Connection - **Revised September 2023**
- W5 3" or 4" Water Service Connection - **December 2022**
- W6 Elevation Set of Meter Vault Lid 3/4" and 1" Services – **December 2017**
- W7 Meter Vault Placement When Seepage Bed or Swale Installed **Revised March 2023**
- W8 Fire Hydrant Detail - **Revised January 2024**
- W9 Water Service/Fire Hydrant Location - **March 2022**
- W10 Fire Hydrant Bollard – **December 2017**
- W11 Valve Box & Lid Detail – **Revised July 2023**
- W12 2" Blow Off Assembly - **Revised January 2024**
- W13 2" Blow Off Assembly (Future Water Main Extension) – **Revised January 2024**
- W14 3/4" Leak Detection Metering Station "Crossings" **December 2017**
- W15-A Water Main in Steel Casing - **May 2021**
- W15-B Water Main in Steel Casing (Continued) - **May 2021**
- W16 6" Water Service - New **December 2022**

SEWER DRAWINGS

- SI "T"-Type Cleanout Detail - **April 2022**

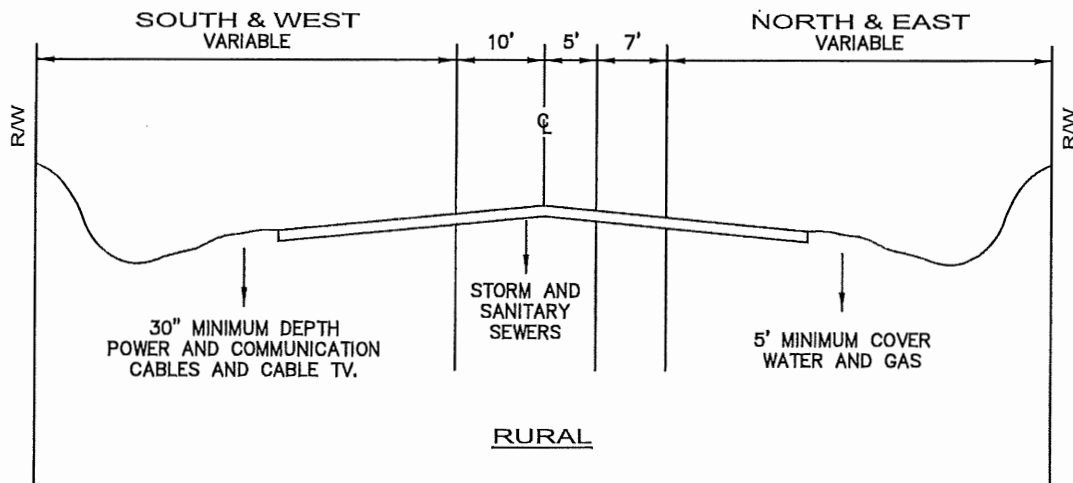
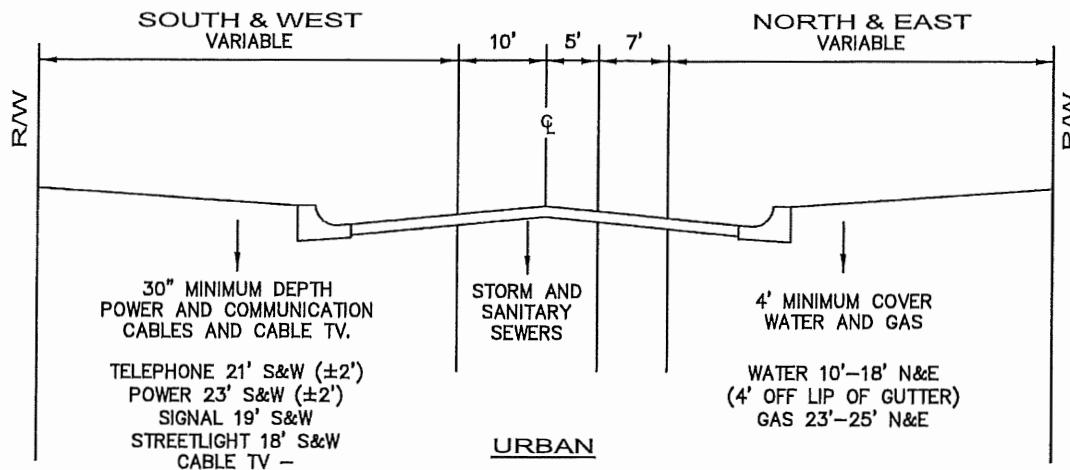
TRAFFIC DRAWINGS

- T1..... Type 1 Mast Arm Luminaire – *June 2016*
- T2..... Details for Street Light Base Installation – *July 2018*
- T3..... Wiring Requirements for Street Light Installations *2013*
- T4..... Davit Pole - *2016*
- TS..... Street Lighting Service Cabinet - *2013*
- T6..... Street Lighting Service Wiring Diagram *2013*
- T7..... Historical Street Light Pole Detail – *2013*
- T8..... Street Light Base Locations - *April 2022*

RECYCLED WATER DRAWINGS

- RW1Recycled Water Valve Box and Lid - *2019*

*****END OF PAGES*****



GENERAL NOTES

1. THE CITY OF MERIDIAN REQUIRES WATER MAINS TO BE PLACED 4' OFF OF LIP OF CURB.
2. THIS LOCATION STANDARD SHALL BE USED IN ALL UNDERGROUND CONSTRUCTION UNLESS EXISTING CONDITIONS DO NOT PERMIT.
3. WRITTEN PERMISSION FROM ANY UTILITY IS REQUIRED IF THEIR CORRIDOR IS INFRINGED UPON.
4. PRESSURIZED IRRIGATION MUST BE OUTSIDE PUBLIC R/W EXCEPT FOR CROSSINGS WHICH MUST BE INSTALLED AT A MAXIMUM DEPTH OF 2'-6" IN AN AWWA C-900 PIPE SLEEVE. THE PUBLIC WORKS DEPARTMENT MUST INSPECT ALL CROSSINGS PRIOR TO BACKFILL.

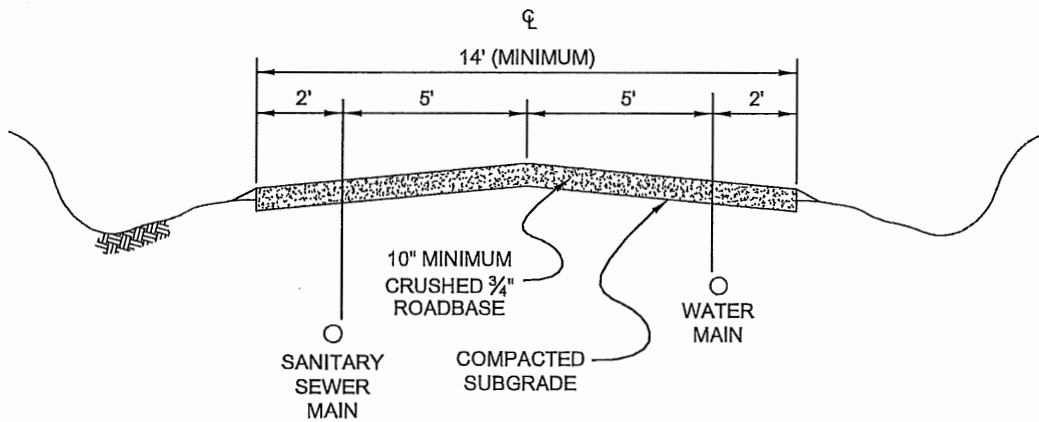
REVISED 2013

CITY OF MERIDIAN
SUPPLEMENTAL
SPECIFICATIONS
TO THE IDAHO STANDARDS FOR
PUBLIC WORKS CONSTRUCTION

UNDERGROUND UTILITY LOCATION STANDARDS

STANDARD DRAWING NO.

G1



NOTE

ALL GRAVELED ROADWAYS SHALL BE CENTERED OVER THE UTILITIES AND PROVIDED WHEN UTILITIES ARE NOT IN THE PUBLIC RIGHT-OF-WAY.

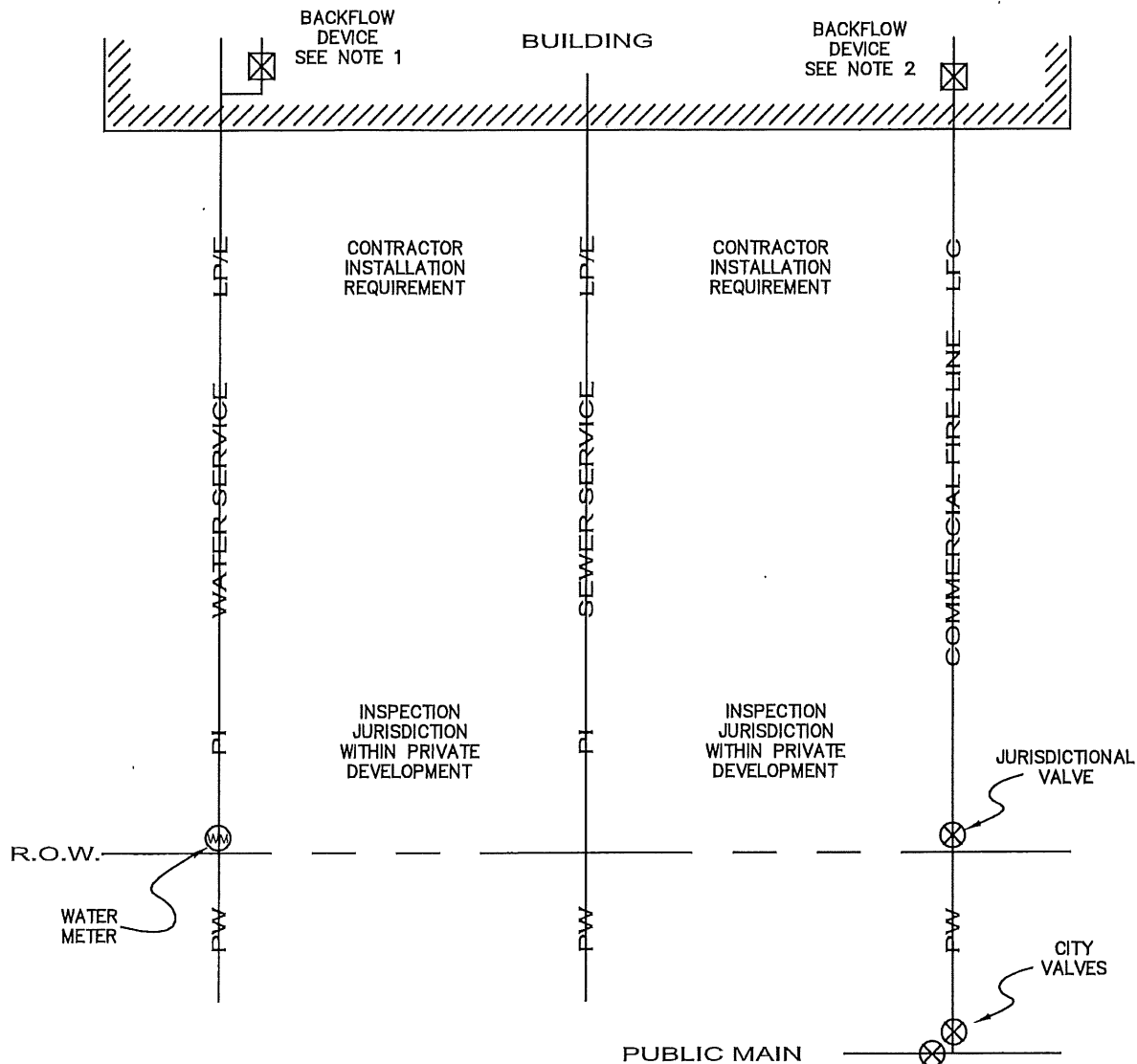
REVISED 2022

CITY OF MERIDIAN
 SUPPLEMENTAL
 SPECIFICATIONS
 TO THE IDAHO STANDARDS FOR
 PUBLIC WORKS CONSTRUCTION

GRAVEL ROAD,
 STANDARD DETAIL

STANDARD DRAWING NO.

G2



NOTES

1. IF A RESIDENTIAL FIRE SPRINKLER SYSTEM IS TO BE INSTALLED, THE PLUMBING INSPECTOR WILL INSPECT THE INSTALLATION THROUGH THE BACKFLOW DEVICE. THE FIRE INSPECTOR WILL INSPECT THE SYSTEM BEYOND THE BACKFLOW DEVICE.
2. THE PUBLIC WORKS INSPECTOR WILL INSPECT THE INSTALLATION OF COMMERCIAL FIRE LINES, AND OVERSEE THE BACTERIOLOGICAL SAMPLES TO THE BACKFLOW DEVICE. THE FIRE INSPECTOR WILL OVERSEE THE PRESSURE TESTING OF THE FIRE LINE TO THE JURISDICTIONAL VALVE.

LEGEND

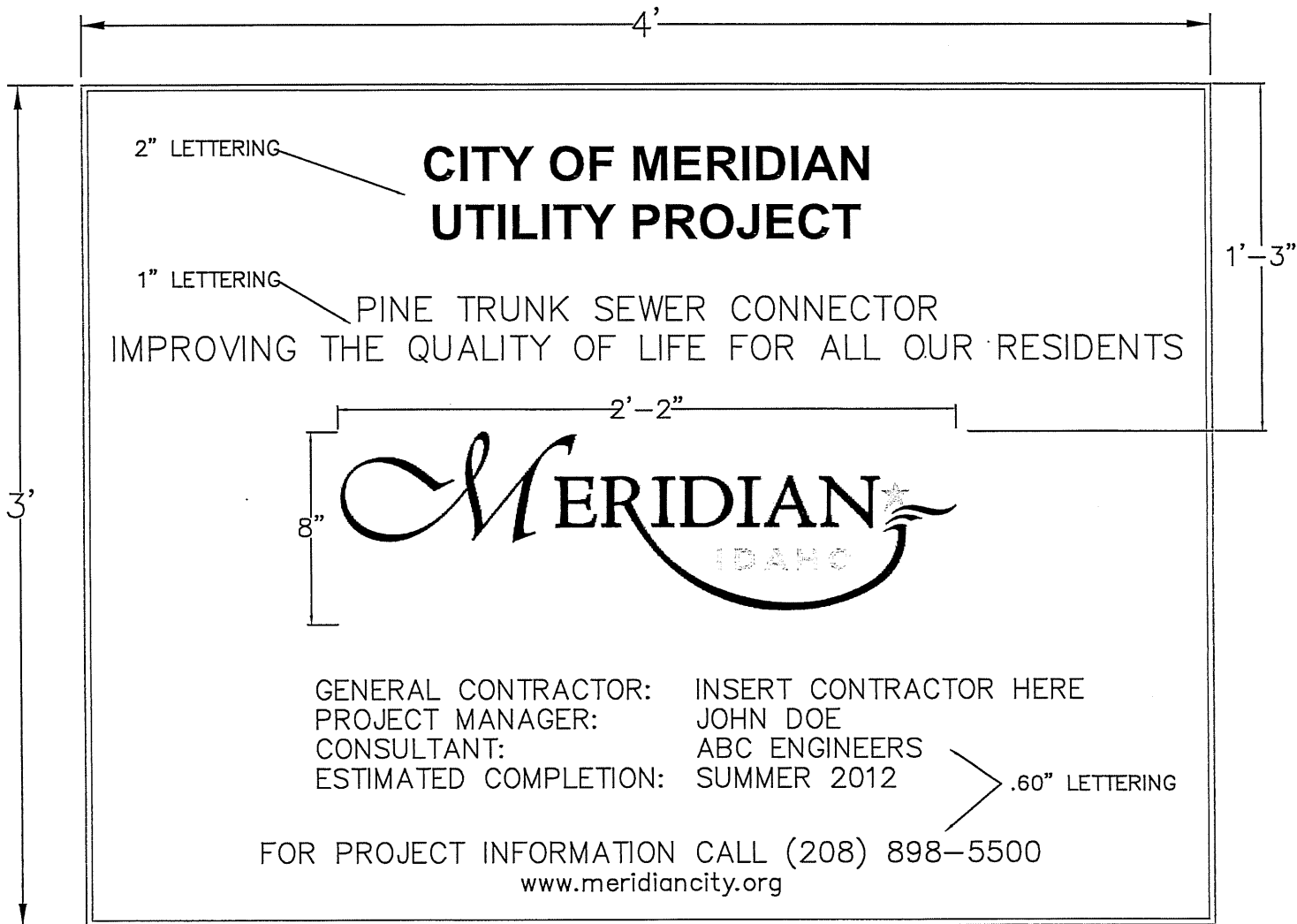
INSPECTION JURISDICTION	
PW	PUBLIC WORKS
PI	PLUMBING INSPECTOR
INSTALLATION REQUIREMENT	
LFC	LICENSED FIRE CONTRACTOR
LP/E	LICENSED PLUMBER OR EXCAVATOR

REVISED MARCH 2022

CITY OF MERIDIAN
 SUPPLEMENTAL
 SPECIFICATIONS
 TO THE IDAHO STANDARDS FOR
 PUBLIC WORKS CONSTRUCTION

UTILITY INSPECTION JURISDICTION
 UTILITY INSTALLATION CONTRACTOR
 REQUIREMENT

STANDARD DRAWING NO.
G3



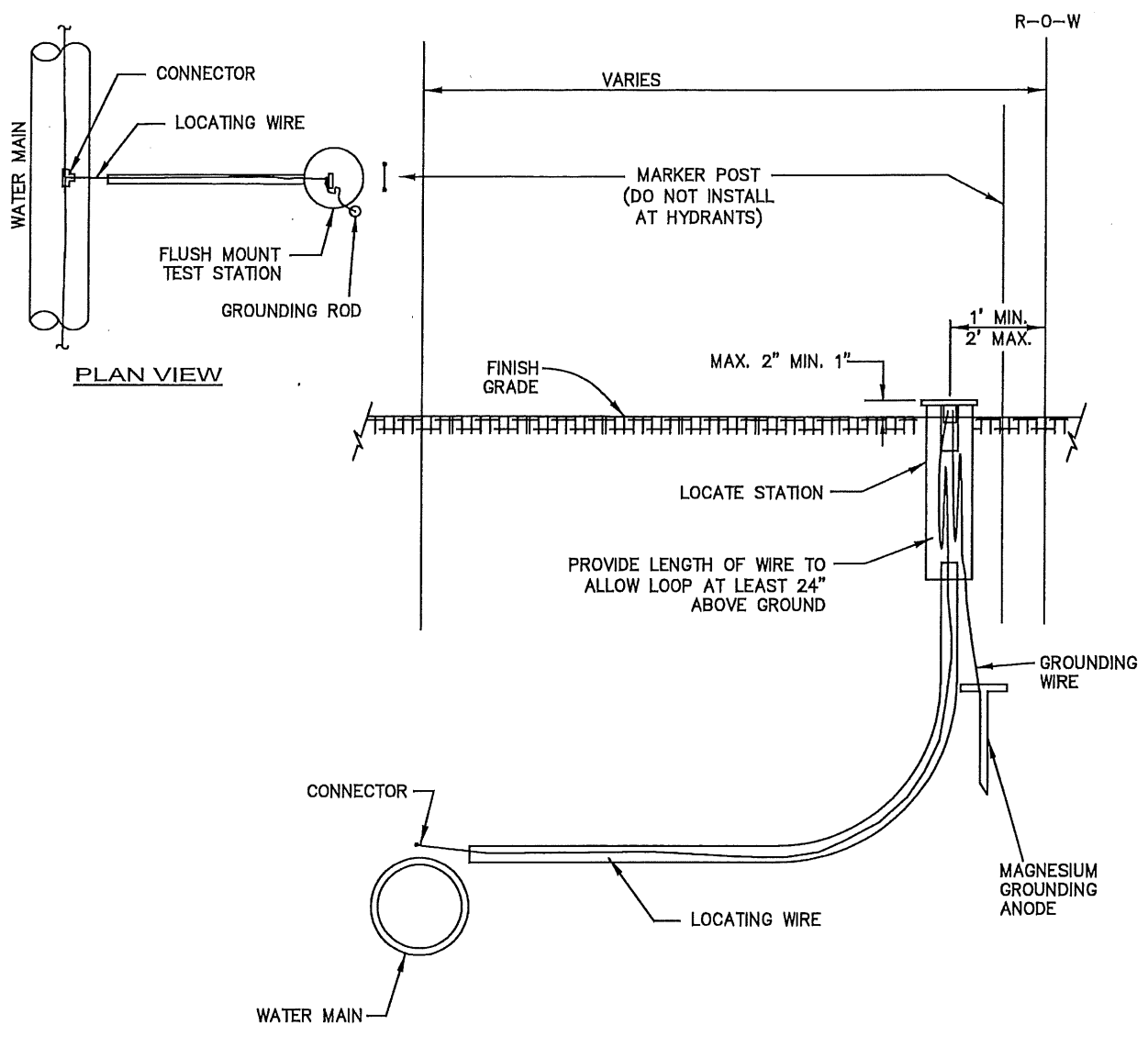
REVISED 2013

CITY OF MERIDIAN
SUPPLEMENTAL
SPECIFICATIONS
TO THE IDAHO STANDARDS FOR
PUBLIC WORKS CONSTRUCTION

CAPITAL PROJECT
INFORMATIONAL SIGN

STANDARD DRAWING NO.

G4

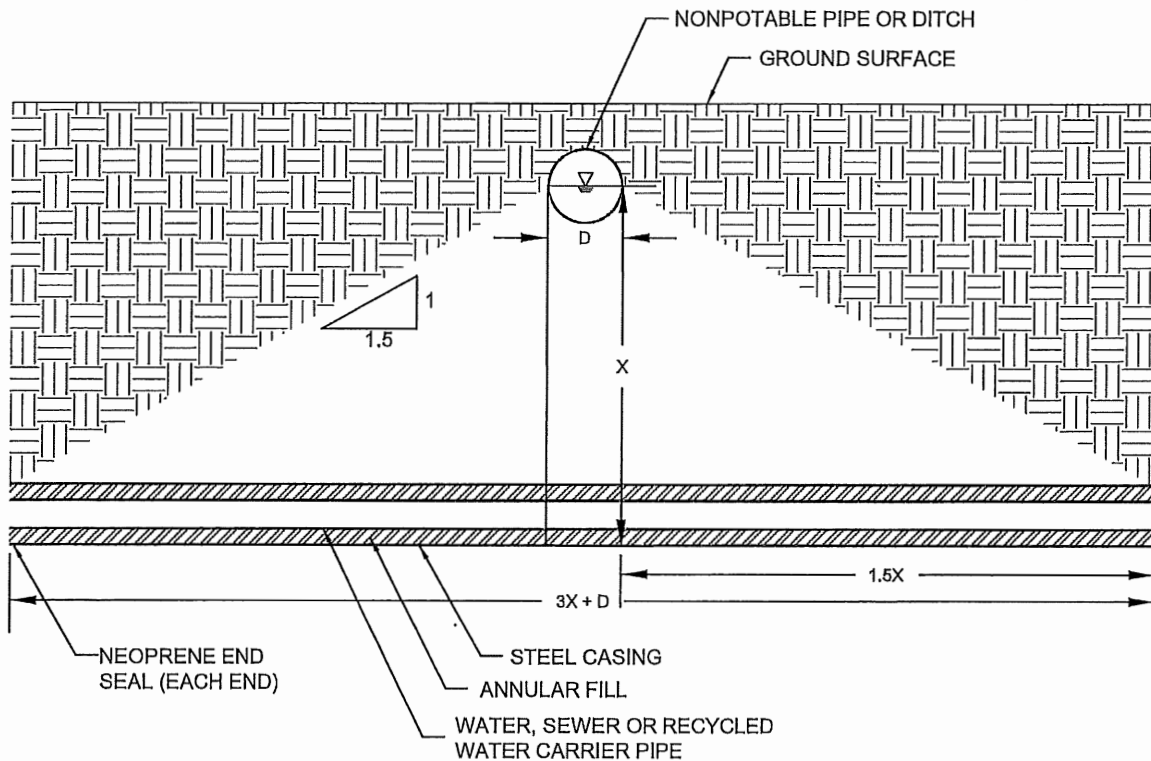


NOTES

1. FLUSH MOUNT TEST STATION SHALL BE COLORED BLUE FOR POTABLE WATER, PURPLE FOR RECLAIMED WATER, GREEN FOR SEWER AND ORANGE FOR COMMUNICATIONS.
2. MARKER POST SHALL BE FIBERGLASS WITH POLYTECH COATING COLORED BLUE FOR POTABLE WATER, PURPLE FOR RECLAIMED WATER, GREEN FOR SEWER AND ORANGE FOR COMMUNICATIONS.
3. PLACE LOCATING WIRE IN 1"Ø POLYETHYLENE I.P.S CLASS 200 OR STRONGER PIPE.
4. MAINTAIN AT LEAST 40 INCHES OF COVER OVER LOCATING WIRE UNTIL WITHIN 3 FEET OF LOCATE STATION.
4. LOCATING WIRE AND GROUNDING WIRE SHALL BE CONNECTED TO LOCATING PLATE TERMINALS ON TERMINAL BOARD.

REVISED MARCH 2022

CITY OF MERIDIAN SUPPLEMENTAL SPECIFICATIONS TO THE IDAHO STANDARDS FOR PUBLIC WORKS CONSTRUCTION	UTILITY MAIN LOCATE STATION DETAIL	STANDARD DRAWING NO. <div style="font-size: 2em; font-weight: bold; margin-top: 10px;">G5</div>
---	--	--



NOTES

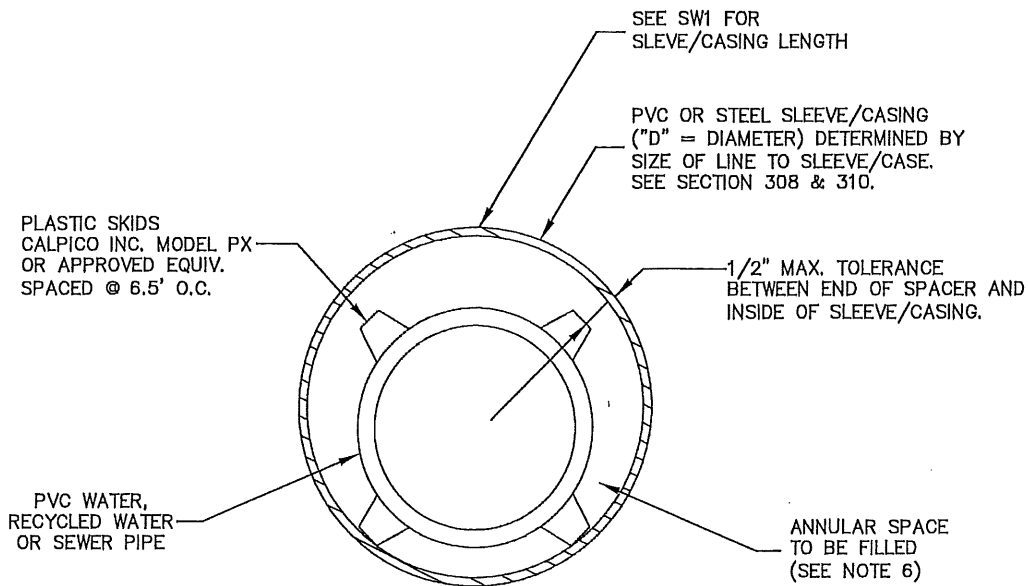
1. CASING LENGTH SHALL BE AT LEAST $3X+D$ IN LENGTH, WHERE X IS THE DISTANCE FROM THE CENTER OF THE NONPOTABLE PIPELINE OR DITCH TO THE REQUIRED BOTTOM OF THE CASING AND D IS THE DIAMETER OF THE IRRIGATION PIPELINE. (MINIMUM CASING LENGTH SHALL BE 20')
2. CASING SHALL BE CENTERED UNDER IRRIGATION PIPELINE
3. ANNULAR SPACE SHALL BE FILLED PER ISPWC AND CITY SUPPLEMENTAL SPECIFICATIONS. SEE SECTIONS 308 AND 310

REVISED DEC 2022

CITY OF MERIDIAN
 SUPPLEMENTAL
 SPECIFICATIONS
 TO THE IDAHO STANDARDS FOR
 PUBLIC WORKS CONSTRUCTION

CASING LENGTH REQUIREMENT

SW1

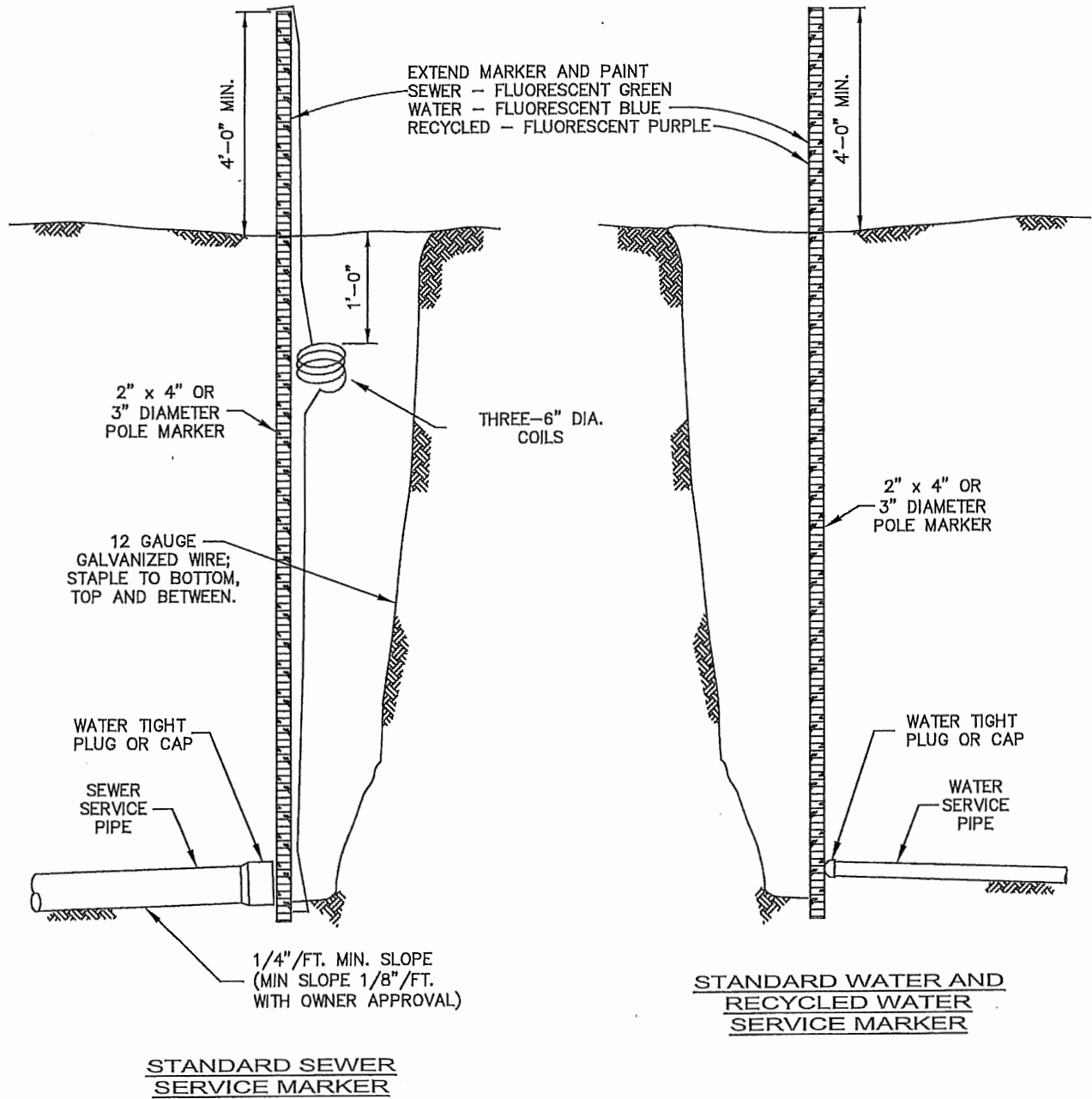


NOTES

1. VERIFY ALL DIMENSIONS AND ELEVATIONS IN THE FIELD PRIOR TO CONSTRUCTION.
2. PIPE SLEEVE/CASING ASSEMBLY SHALL BE INSPECTED BY MERIDIAN PUBLIC WORKS DEPARTMENT PRIOR TO INSTALLATION IN THE TRENCH .
3. WATER-TIGHT BOOTS SHALL BE INSTALLED ON EACH END OF THE PIPE SLEEVE/CASING.
4. BELL RESTRAINTS ARE REQUIRED ON ALL BELL AND SPIGOT WATER, RECYCLED WATER AND PRESSURE SEWER PIPING PLACED WITHIN THE PIPE SLEEVE/CASING.
5. IN EMERGENCY SITUATIONS AND WITH WRITTEN APPROVAL OF THE CITY ENGINEER OR THE INSPECTOR AS THE ENGINEER'S REPRESENTATIVE, REDWOOD SKIDS MAY BE USED PER ISPWC SD-307, SECTION A-A.
6. THE ANNULAR SPACE BETWEEN THE CARRIER PIPE AND CASING PIPE SHALL BE FILLED IN ACCORDANCE WITH SECTIONS 308 AND 310. EXCEPTIONS MAY BE ALLOWED IF THE CASING IS LESS THAN 10 FEET DEEP AND ABOVE SEASONAL HIGH GROUNDWATER. ALL EXCEPTIONS MUST BE APPROVED IN WRITING BY THE CITY ENGINEER.
7. ANNULAR FILL IS NOT REQUIRED FOR PLASTIC SLEEVES INSTALLED LESS THAN 10 FEET DEEP TO MEET NON-POTABLE SEPARATION REQUIREMENTS.

REVISED March 2023

<p>CITY OF MERIDIAN SUPPLEMENTAL SPECIFICATIONS TO THE IDAHO STANDARDS FOR PUBLIC WORKS CONSTRUCTION</p>	<p>WATER OR SEWER MAIN PIPE SLEEVE / CASING</p>	<p>STANDARD DRAWING NO. SW2</p>
--	--	--



CITY OF MERIDIAN
 SUPPLEMENTAL
 SPECIFICATIONS
 TO THE IDAHO STANDARDS FOR
 PUBLIC WORKS CONSTRUCTION

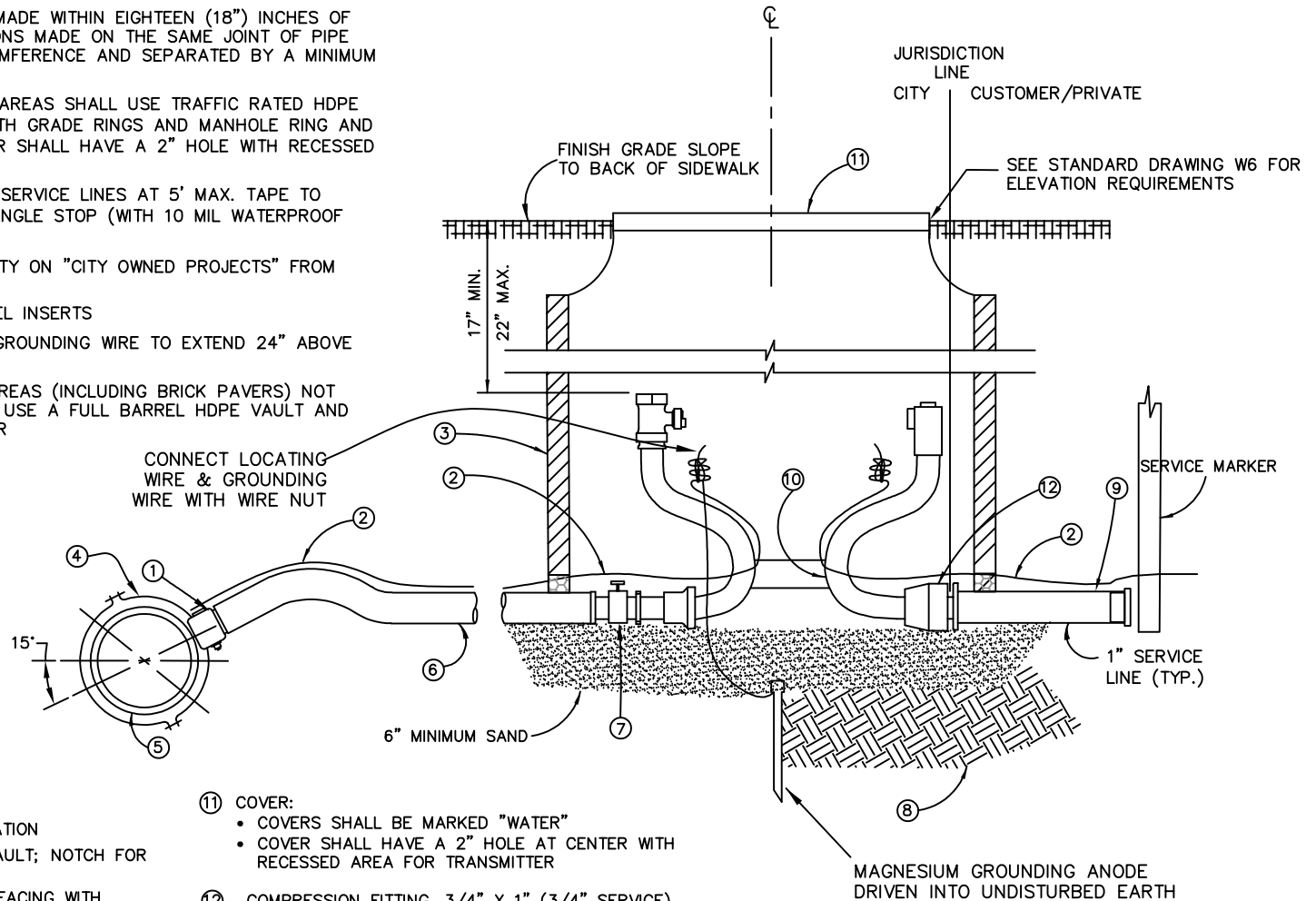
STANDARD SERVICE MARKERS

STANDARD DRAWING NO.

SW3

NOTES

1. NO SERVICE CONNECTION SHALL BE MADE WITHIN EIGHTEEN (18") INCHES OF THE PIPE ENDS. MULTIPLE CONNECTIONS MADE ON THE SAME JOINT OF PIPE SHALL BE STAGGERED ON THE CIRCUMFERENCE AND SEPARATED BY A MINIMUM OF EIGHTEEN (18") INCHES.
2. METER VAULTS LOCATED IN TRAFFIC AREAS SHALL USE TRAFFIC RATED HDPE VAULT AND COVER, OR 30"Ø CMP WITH GRADE RINGS AND MANHOLE RING AND COVER PER ISPMC SD402. THE COVER SHALL HAVE A 2" HOLE WITH RECESSED AREA FOR METER TRANSMITTER.
3. LOCATING WIRE SHALL BE TAPED TO SERVICE LINES AT 5' MAX. TAPE TO SERVICE NOT MORE THAN 6" FROM ANGLE STOP (WITH 10 MIL WATERPROOF TAPE.)
4. LOCATING WIRE TO EXTEND TO FACILITY ON "CITY OWNED PROJECTS" FROM METER.
5. FITTINGS TO INCLUDE STAINLESS STEEL INSERTS
6. PROVIDE LENGTH OF LOCATING AND GROUNDING WIRE TO EXTEND 24" ABOVE GRADE WHEN UNCOILED.
7. METER VAULTS LOCATED IN PAVED AREAS (INCLUDING BRICK PAVERS) NOT SUBJECT TO VEHICLE TRAFFIC SHALL USE A FULL BARREL HDPE VAULT AND CORRESPONDING FLUSH MOUNT COVER



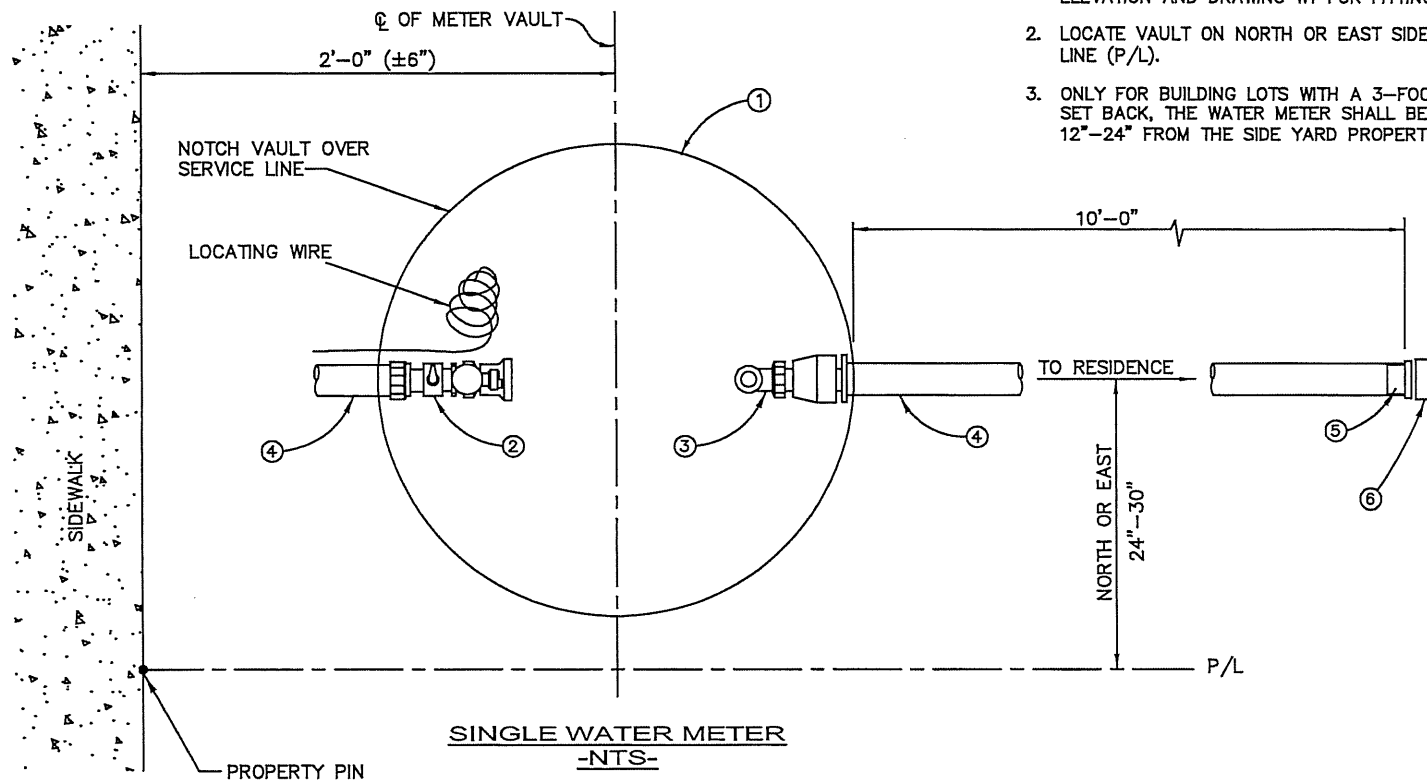
LEGEND

- ① 1" BALL CORPORATION STOP
- ② LOCATING WIRE WITH BLUE INSULATION
- ③ 20" DIA. X 36" POLYETHYLENE VAULT; NOTCH FOR SERVICE LINES.
- ④ SERVICE SADDLE EPOXY COATED FACING WITH STAINLESS STEEL BAND AND HARDWARE
- ⑤ WATER MAIN
- ⑥ 1" SERVICE LINE, NO SPLICING ALLOWED.
- ⑦ FULL OPENING BALL VALVE: 1" OR 3/4". (FOR 3/4" SINGLE, 1" X 3/4" BRASS REDUCER IS REQUIRED. FOR 3/4" DOUBLE, SEE DRAWING W3)
- ⑧ FIRM UNDISTURBED EARTH
- ⑨ EXTEND SERVICE LINE 10' FROM METER VAULT (SEE STD. DWG. W3) AND PROVIDE TEMPORARY PLUG (THREADED IN HIGH GROUNDWATER AREAS).
- ⑩ 3/4" OR 1" METER SETTER WITH LOCKABLE KEY VALVE

- ⑪ COVER:
 - COVERS SHALL BE MARKED "WATER"
 - COVER SHALL HAVE A 2" HOLE AT CENTER WITH RECESSED AREA FOR TRANSMITTER
- ⑫ COMPRESSION FITTING, 3/4" X 1" (3/4" SERVICE)
COMPRESSION FITTING, 1" X 1" (1" SERVICE)

REVISED APRIL 2024

CITY OF MERIDIAN SUPPLEMENTAL SPECIFICATIONS TO THE IDAHO STANDARDS FOR PUBLIC WORKS CONSTRUCTION	3/4" SINGLE, 3/4" DOUBLE OR 1" SINGLE WATER SERVICE CONNECTION	STANDARD DRAWING NO. W1
---	--	--



NOTES

1. SEE STANDARD DRAWING W6 FOR METER SETTER ELEVATION AND DRAWING W1 FOR FITTINGS.
2. LOCATE VAULT ON NORTH OR EAST SIDE OF PROPERTY LINE (P/L).
3. ONLY FOR BUILDING LOTS WITH A 3-FOOT SIDE YARD SET BACK, THE WATER METER SHALL BE CENTERED 12"-24" FROM THE SIDE YARD PROPERTY LINE.

LEGEND

- ① METER VAULT; NOTCH FOR SERVICE LINE(S).
- ② BALL VALVE
- ③ METER SETTER
- ④ SERVICE LINE
- ⑤ PLUG
- ⑥ SERVICE MARKER, 2 X 4 OR 3" DIAMETER WOODEN POLE PAINTED FLUORESCENT BLUE.

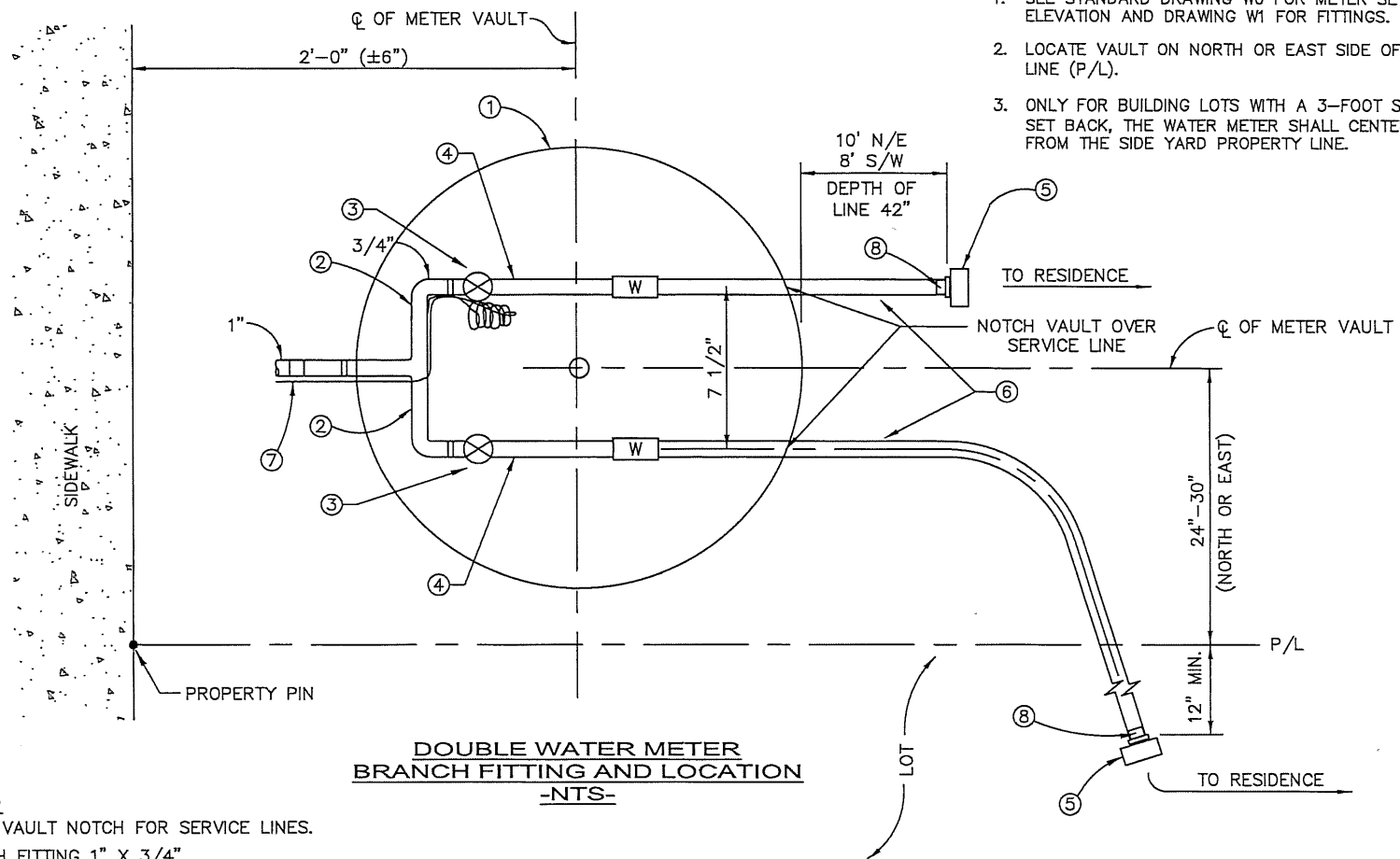
REVISED MARCH 2022

CITY OF MERIDIAN
SUPPLEMENTAL
SPECIFICATIONS
TO THE IDAHO STANDARDS FOR
PUBLIC WORKS CONSTRUCTION

3/4" AND 1" SINGLE
WATER SERVICE CONNECTION

STANDARD DRAWING NO.

W2



LEGEND

- ① METER VAULT NOTCH FOR SERVICE LINES.
- ② BRANCH FITTING 1" X 3/4"
- ③ 3/4" BALL VALVE (X2)
- ④ METER SETTER
- ⑤ SERVICE MARKER, 2 x 4 OR 3" DIAMETER WOODEN POLE PAINTED FLUORESCENT BLUE.
- ⑥ 1"Ø SERVICE LINE
- ⑦ LOCATING WIRE WITH BLUE INSULATION.
- ⑧ PLUG

NOTES

- 1. SEE STANDARD DRAWING W6 FOR METER SETTER ELEVATION AND DRAWING W1 FOR FITTINGS.
- 2. LOCATE VAULT ON NORTH OR EAST SIDE OF PROPERTY LINE (P/L).
- 3. ONLY FOR BUILDING LOTS WITH A 3-FOOT SIDE YARD SET BACK, THE WATER METER SHALL CENTERED 12"-24" FROM THE SIDE YARD PROPERTY LINE.

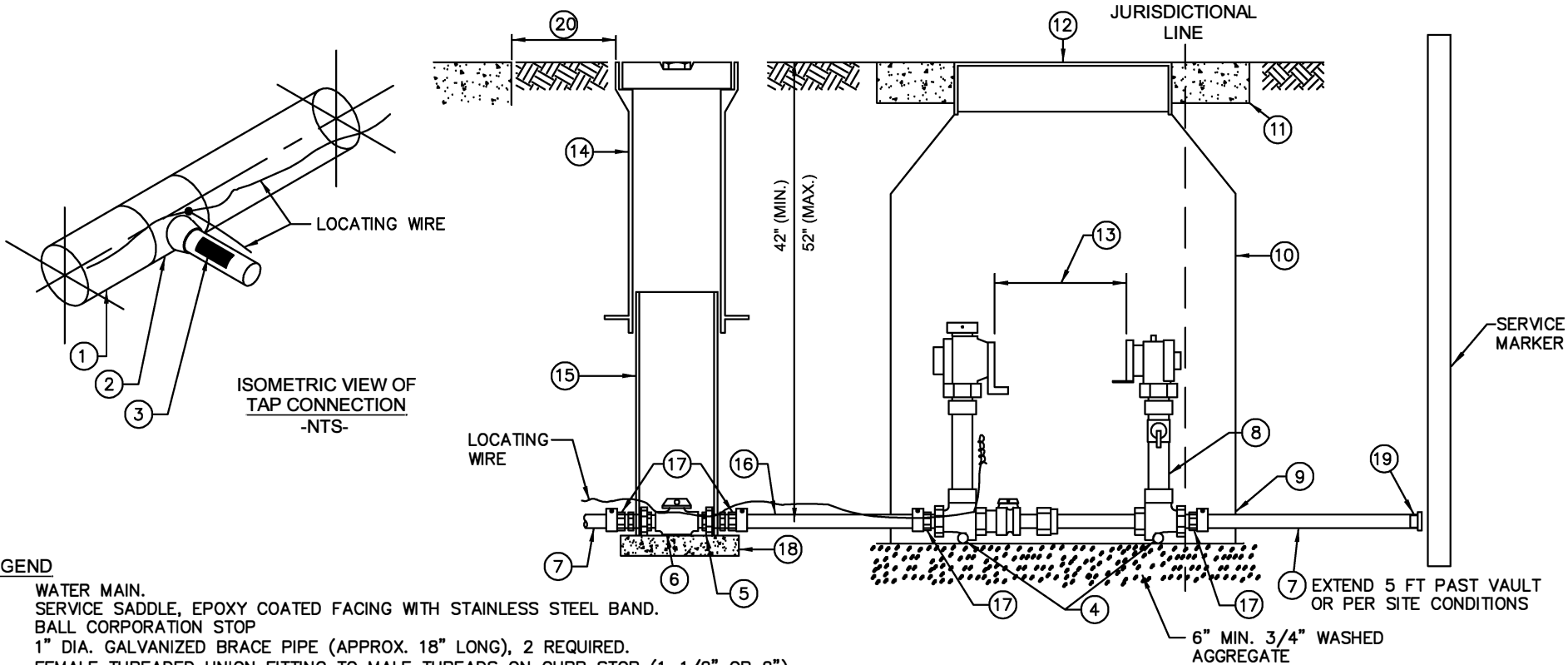
REVISED JUNE 2019

CITY OF MERIDIAN
SUPPLEMENTAL
SPECIFICATIONS
TO THE IDAHO STANDARDS FOR
PUBLIC WORKS CONSTRUCTION

3/4" DOUBLE
WATER SERVICE CONNECTION

STANDARD DRAWING NO.

W3



ISOMETRIC VIEW OF
TAP CONNECTION
-NTS-

SECTION OF METER SETTER & VAULT
-NTS-

LEGEND

1. WATER MAIN.
2. SERVICE SADDLE, EPOXY COATED FACING WITH STAINLESS STEEL BAND.
3. BALL CORPORATION STOP
4. 1" DIA. GALVANIZED BRACE PIPE (APPROX. 18" LONG), 2 REQUIRED.
5. FEMALE THREADED UNION FITTING TO MALE THREADS ON CURB STOP (1-1/2" OR 2").
6. BALL VALVE CURB STOP F.I.P x M.I.P. (1-1/2" OR 2")
7. SERVICE LINE (1-1/2" OR 2"), POLY PIPE
8. METER SETTER
9. NOTCH FOR SERVICE LINE (FABRICATED WITH HDPE VAULT)
10. HDPE METER VAULT, OR 30"Ø CMP WITH GRADE RINGS AND MANHOLE RING AND COVER PER ISPWC SD402.
11. 4"x35" CONCRETE COLLAR FOR TRAFFIC AREAS.
12. 24" DIA. H-20 LID AND RING & "WATER" COVER. THE COVER SHALL HAVE A 2" RECESSED HOLE FOR METER TRANSMITTER.
13. 1 1/2" METER = 13 1/4" WITH GASKETS, 2" METER = 17 1/4" WITH GASKETS. (CITY TO PROVIDE)
14. CAST IRON VALVE RISER WITH LID- SEE DWG W-11
15. 4" DIA. SDR 35 PVC PIPE, NOTCH FOR SERVICE LINE.
16. 1 1/2" OR 2" x 6" MIN STRAIGHT POLY PIPE (NOT FROM COIL)
17. 1 1/2" OR 2" COMPRESSION FITTING M.I.P.xCOMPRESSION
18. SOLID PRECAST CONCRETE BLOCK 1' X 1' X 2" THICK
19. PLUG
20. MIN 12" BETWEEN BACK OF SIDEWALK, BACK OF CURB, OR GUTTER AND EDGE OF VALVE RISER

NOTES:

1. NO TAP SHALL BE MADE WITHIN 18 INCHES OF THE PIPE ENDS.
2. THE DIAMETER (1-1/2" OR 2") OF EACH APPURTENANCE SHOWN HEREON SHALL BE THE SAME AS THE METER SIZE.
3. METER SETTERS FOR LANDSCAPE OR PRESSURIZED IRRIGATION SYSTEMS - NO BYPASS SHALL BE ALLOWED.
4. IF TWO OR MORE METER SETTERS ARE USED FOR SAME SERVICE - NO BYPASS SHALL BE ALLOWED.
5. PROVIDE SST INSERTS FOR ALL FITTINGS.
6. LOCATE WIRE TO EXTEND 24" OUTSIDE OF METER VAULT WHEN UNCOILED.
7. NO ADDITIONAL FITTINGS ALLOWED BETWEEN CORP STOP AND WATER SERVICE ASSEMBLY.

REVISED SEPTEMBER 2023

CITY OF MERIDIAN
SUPPLEMENTAL
SPECIFICATIONS
TO THE IDAHO STANDARDS FOR
PUBLIC WORKS CONSTRUCTION

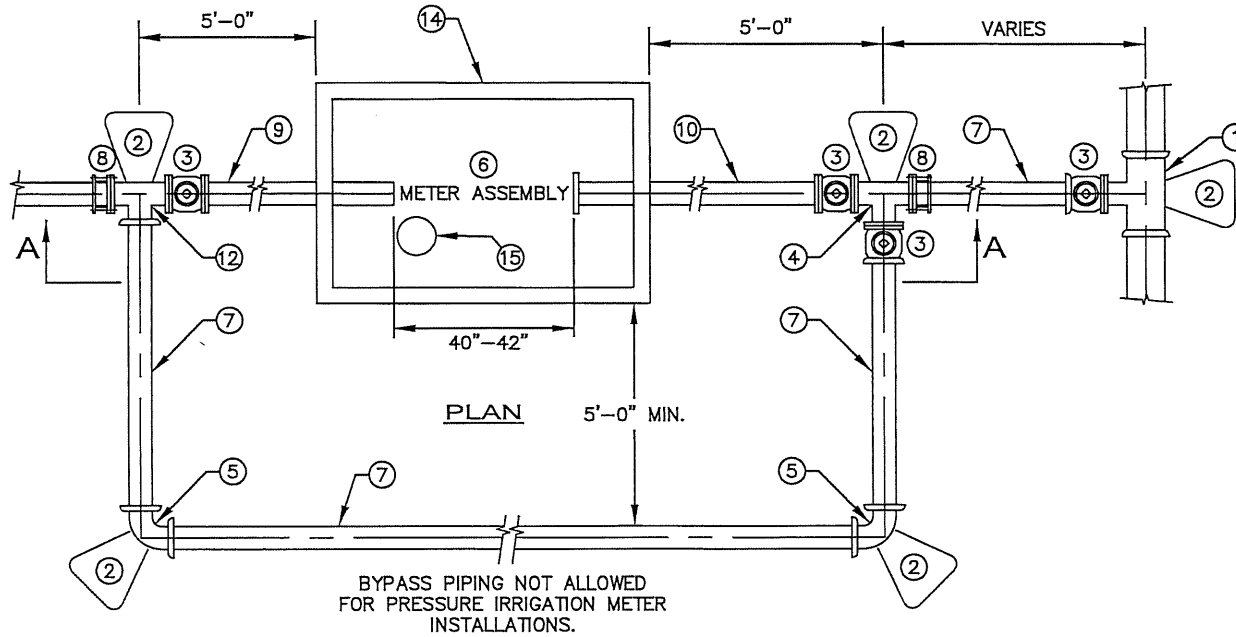
(1 1/2" - 2") WATER SERVICE
CONNECTION

STANDARD DRAWING NO.

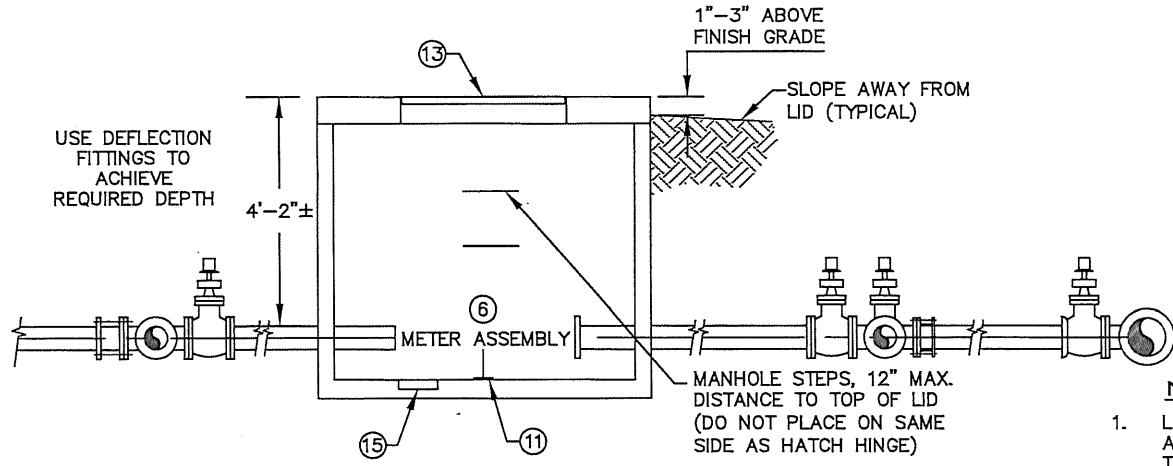
W4

LEGEND

- 1 MAIN SIZE MJ x 4" FLG TEE, OR STAINLESS STEEL TAPPING SADDLE
- 2 THRUST BLOCK
- 3 4" FLG x MJ GATE VALVE w/ VALVE BOX PER DRAWING W11
- 4 4" FLG TEE
- 5 4" MJ 90° BEND
- 6 METER ASSEMBLY:
 FOR 3 INCH SERVICE:
 * 4" X 3" REDUCING COUPLING
 * 3' X 12" FL X PE SPOOL
 * 3" FL X FL METER BLANK (SUPPLIED BY CITY)
 * 4" X 3" FL X FL REDUCER
 FOR 4 INCH SERVICE:
 * 4" COUPLING
 * 4" X 15" FL X PE SPOOL
 * 4" FL X FL METER BLANK (SUPPLIED BY CITY)
- 7 C-900 PIPE
- 8 4" FLG x MJ ADAPTOR
- 9 D.I.P. FLG x PE
- 10 D.I.P. FLG x FLG SPOOL
- 11 SUPPORT STAND W/ S.S. ANCHOR BOLTS, PROVIDE FOR INSTALLATION WITH METER ASSEMBLY - DO NOT BOLT DOWN
- 12 4" FLG x FLG x MJ TEE
- 13 FOR INSTALLATION OUTSIDE TRAFFIC AREAS; USE APPROVED HATCH DOOR AND FRAME. FOR INSTALLATION IN TRAFFIC AREAS; USE COVERS PER ISPWC SD402
- 14 5'-6"L x 3'-6"W, INSIDE, PRECAST CONCRETE VAULT W/ HS-20 LOADING RATED LID
- 15 12" DIAMETER x 2" DEEP SUMP, DO NOT PLACE UNDER PIPING



BYPASS PIPING NOT ALLOWED FOR PRESSURE IRRIGATION METER INSTALLATIONS.



NOTES

- 1. LOCATING WIRE TO BE INSTALLED FROM MAIN TO VAULT ALONG METERED LINE AND BYPASS. WIRE ALONG BYPASS TO ENTER VAULT FROM REAR.

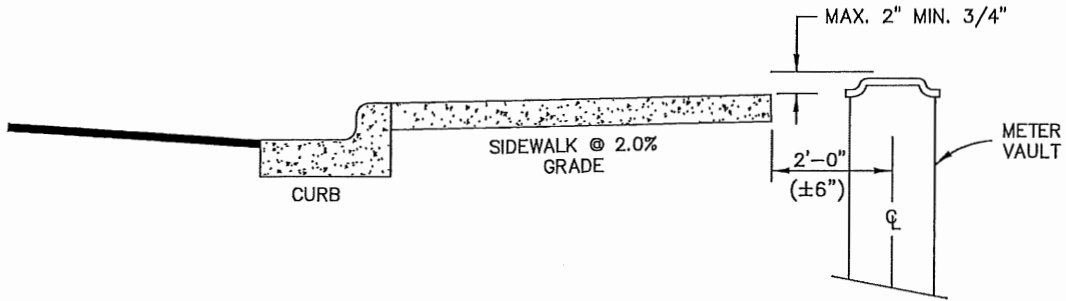
REVISED DEC 2022

CITY OF MERIDIAN
 SUPPLEMENTAL
 SPECIFICATIONS
 TO THE IDAHO STANDARDS FOR
 PUBLIC WORKS CONSTRUCTION

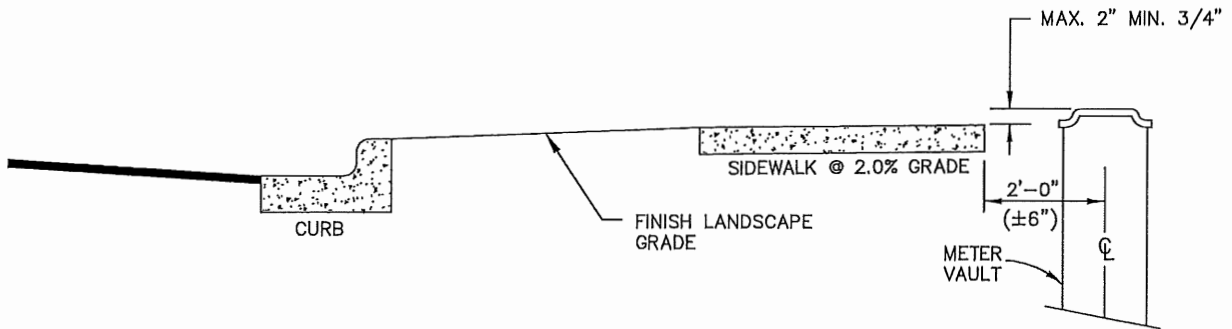
3" or 4" WATER
 SERVICE CONNECTION

STANDARD DRAWING NO.

W5



ELEVATION SET OF METER VAULT
LID ATTACHED SIDEWALK



- DIMENSIONS ARE FROM FINISH GRADE OR TOP OF LANDSCAPING TO TOP OF METER LID.

ELEVATION SET OF METER VAULT LID
DETACHED SIDEWALK

NOTES

1. IN THE ABSENCE OF A SIDEWALK, THE FOLLOWING DIMENSIONAL STANDARDS SHALL BE APPLIED:
 - THE METER LID SHALL BE A MINIMUM OF 3/4" ABOVE FINISHED GRADE OR TOP OF LANDSCAPING (MAX. = 2").
 - IN THE ABSENCE OF A SIDEWALK, THE C/L OF THE METER SHALL BE 2'-0" FROM BACK OF CURB.
2. NO LARGE LANDSCAPING OR FACILITIES SHALL BE PERMITTED WITHIN A 5'-0" RADIUS OF WATER METER.

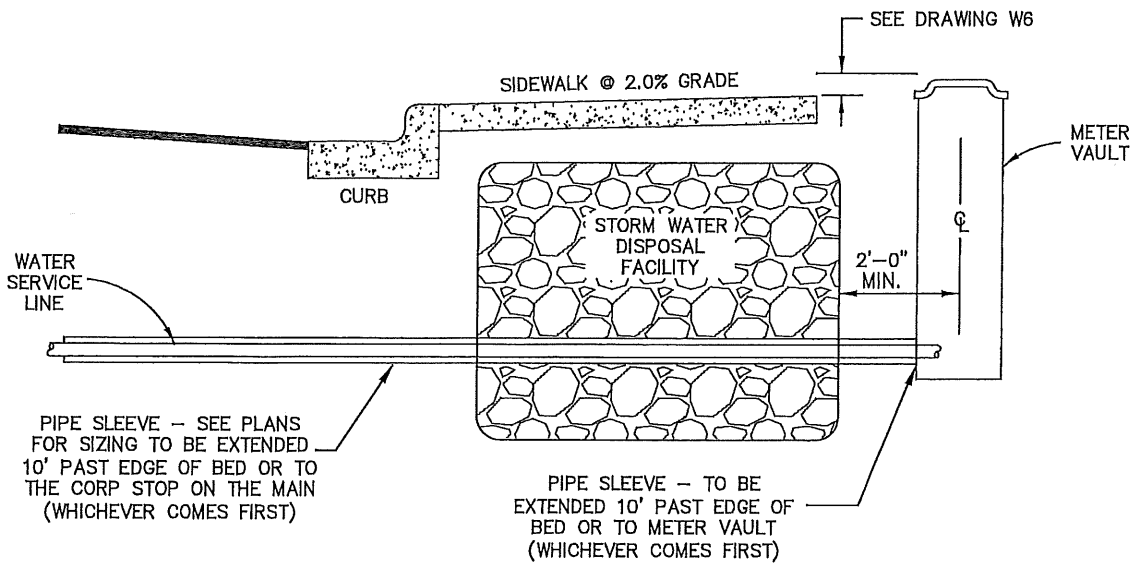
REVISED DEC 2017

CITY OF MERIDIAN
SUPPLEMENTAL
SPECIFICATIONS
TO THE IDAHO STANDARDS FOR
PUBLIC WORKS CONSTRUCTION

ELEVATION SET OF METER VAULT LID
- 3/4" & 1" SERVICES

STANDARD DRAWING NO.

W6



NOTES

1. PIPE MATERIAL FOR SLEEVES SHALL BE SCHEDULE 80 PVC FOR SLEEVES LESS THAN 4 INCHES IN DIAMETER AND AWWA C-900 DR18 PVC FOR 4 INCH DIAMETERS AND GREATER.
2. SEAL ENDS OF PIPE SLEEVE WITH EXPANDING POLYURETHANE FOAM.
3. WATER SERVICES GREATER THAN 2 INCHES SHALL NOT BE CONSTRUCTED IN SEEPAGE BEDS.

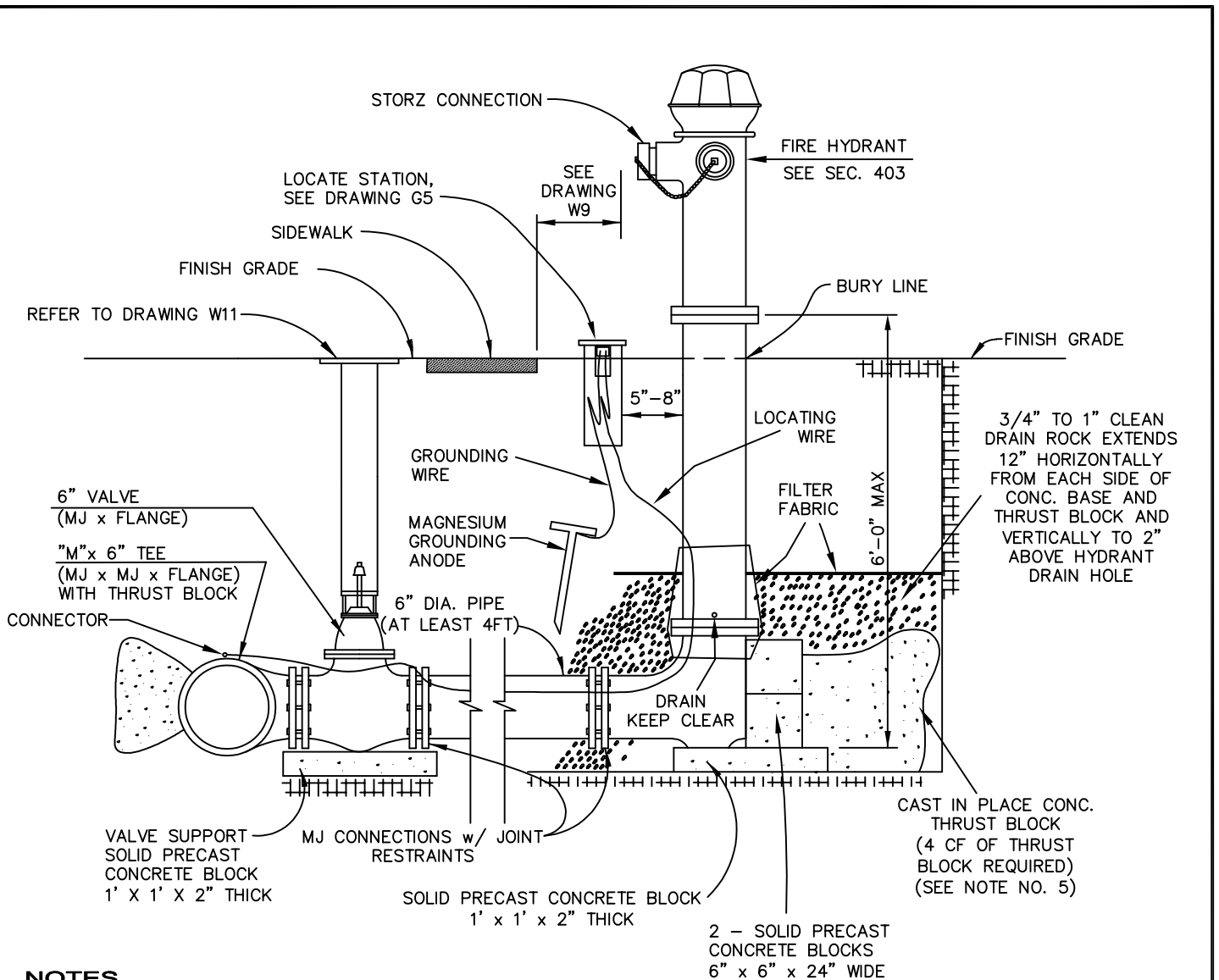
REVISED MARCH 2023

CITY OF MERIDIAN
 SUPPLEMENTAL
 SPECIFICATIONS
 TO THE IDAHO STANDARDS FOR
 PUBLIC WORKS CONSTRUCTION

METER VAULT PLACEMENT WHEN
 SEEPAGE BED OR SWALE INSTALLED

STANDARD DRAWING NO.

W7

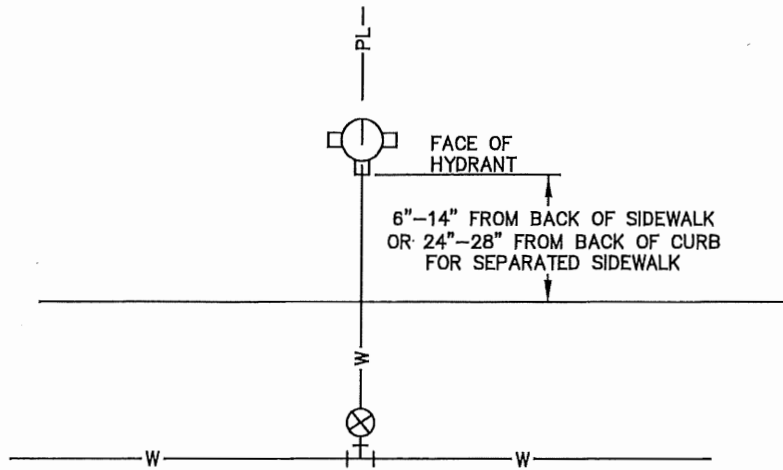


NOTES

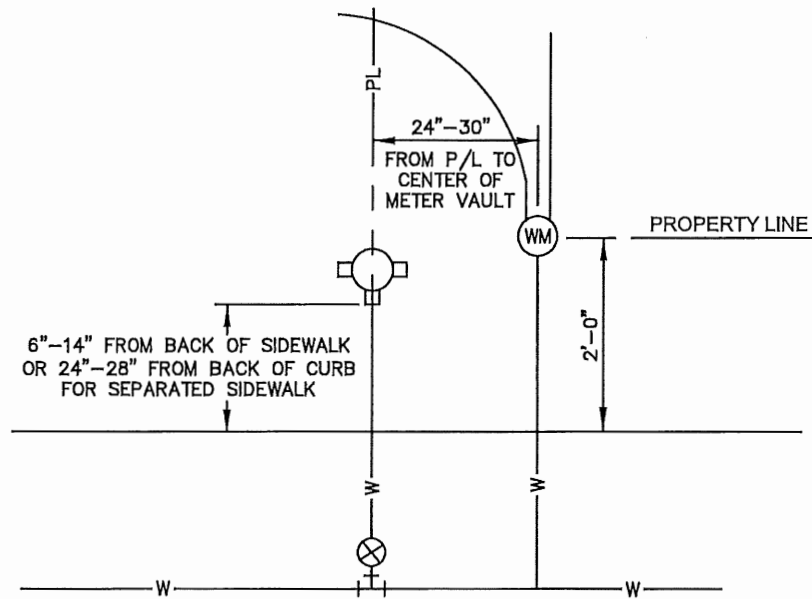
1. JOINT RESTRAINTS TO BE USED AT ALL TEES, FITTINGS, AND JOINTS FROM MAIN TO HYDRANT.
2. ALL AUXILIARY VALVES SHALL BE LOCATED AT THE TEE ON THE WATER MAIN AS SHOWN ON THIS DETAIL.
3. PLACE LOCATING WIRE TO LOCATOR STATION. TAPE TO TOP OF PIPE EVERY 10' MAX. SPACING. SEE STANDARD DRAWING G-5 FOR PLAN VIEW DETAILS.
4. ALL 4 1/2" OUTLETS TO BE POINTED TOWARDS PRIMARY STREET OR ACCESS ROAD.
5. ALL FIRE HYDRANTS SHALL HAVE A MINIMUM OF 5' RADIUS FROM MATURE LANDSCAPING OR OTHER FIXED VERTICAL OBJECTS, SEE DRAWING W9.
6. HYDRANTS WILL BE INSTALLED TO GRADE TO MANUFACTURERS DESIGNATED BURY LINE ON HYDRANT.
7. HYDRANTS SHALL NOT BE PLACED WITHIN 10 FEET OF DRAINAGE SWALES.
8. HYDRANTS TO BE INSTALLED LEVEL & PLUMB.
9. INSTALL GROUNDING ANODE AT MINIMUM 24 INCH DEPTH.
10. ALL FIRE HYDRANTS SHALL HAVE STORZ CONNECTION; EITHER BUILT IN OR APPROVED ADAPTOR MAY BE USED.
11. ALL FIRE HYDRANTS INSTALLED BUT NOT ACTIVATED MUST BE COVERED WITH AN APPROVED BAG.
12. LOCATE STATION MAY BE MOVED TO SIDE OF HYDRANT IF NEEDED TO MEET SPACING REQUIREMENT

REVISED JANUARY 2024

<p>CITY OF MERIDIAN SUPPLEMENTAL SPECIFICATIONS TO THE IDAHO STANDARDS FOR PUBLIC WORKS CONSTRUCTION</p>	<p>FIRE HYDRANT DETAIL</p>	<p>STANDARD DRAWING NO. W8</p>
--	-----------------------------------	---



**FIRE HYDRANT INSTALLED
NO WATER SERVICE**



**FIRE HYDRANT & WATER SERVICE
INSTALLED - SAME LOT**

GENERAL NOTES

1. SEE CITY OF MERIDIAN STANDARD DRAWING W6 FOR ELEVATION SET OF METER VAULTS.
2. HYDRANTS SHALL NOT BE INSTALLED WITHIN 10 FEET OF DRAINAGE SWALES.
3. FIRE HYDRANTS AND WATER METER VAULTS SHALL HAVE A MINIMUM OF 5' RADIUS CLEARING FROM MATURE LANDSCAPING OR OTHER FIXED VERTICAL OBJECTS INCLUDING FENCES. WHEN PLACED IN PARKING LOT ISLANDS OR OTHER AREAS SUSCEPTIBLE TO DAMAGE FROM VARIED TRAFFIC PATTERNS, DISTANCE FROM BACK OF CURB SHOULD BE 36"-42".

REVISED MARCH 2022

CITY OF MERIDIAN
SUPPLEMENTAL
SPECIFICATIONS
TO THE IDAHO STANDARDS FOR
PUBLIC WORKS CONSTRUCTION

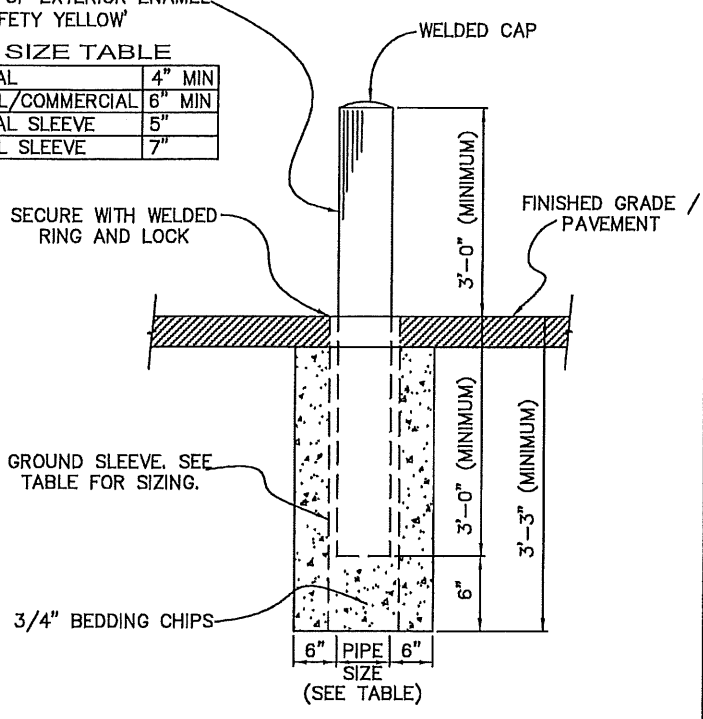
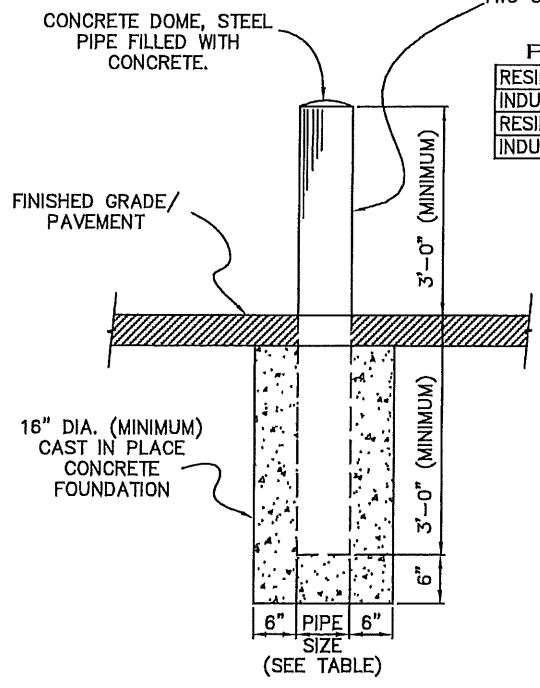
WATER SERVICE /
FIRE HYDRANT LOCATION

STANDARD DRAWING NO.

W9

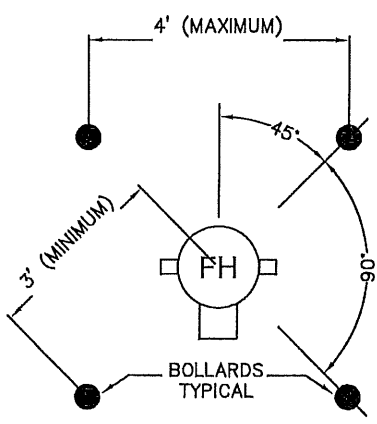
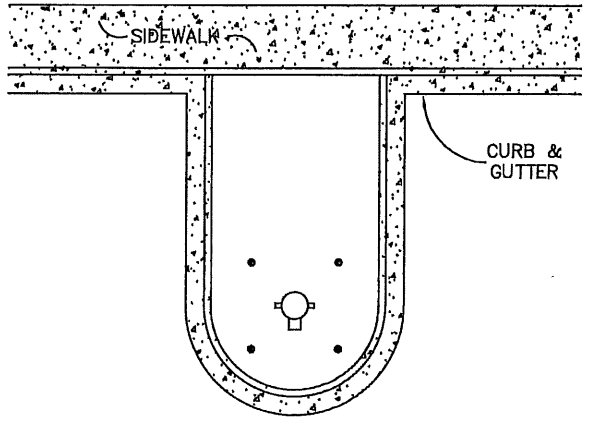
STEEL PIPE BOLLARD PAINTED TWO COATS OF EXTERIOR ENAMEL 'SAFETY YELLOW'

PIPE SIZE TABLE	
RESIDENTIAL	4" MIN
INDUSTRIAL/COMMERCIAL	6" MIN
RESIDENTIAL SLEEVE	5"
INDUSTRIAL SLEEVE	7"



PERMANENT BOLLARD INSTALLATION SECTION VIEW

REMOVABLE BOLLARD INSTALLATION SECTION VIEW



TYPICAL BOLLARD INSTALLATION IN COMMERCIAL PARKING AREA

HYDRANT/ BOLLARD SPACING PLAN VIEW

NOTES

1. BOLLARDS SHALL MEET ALL REQUIREMENTS OF SECTION 312 (VEHICLE IMPACT PROTECTION) OF THE INTERNATIONAL FIRE CODE (CURRENTLY ADOPTED EDITION).
2. VERIFY LOCATION OF UNDERGROUND UTILITIES BEFORE EXCAVATING FOR CONCRETE BOLLARD FOUNDATION.
3. BOLLARDS SHALL BE PAINTED 'SAFETY' YELLOW.

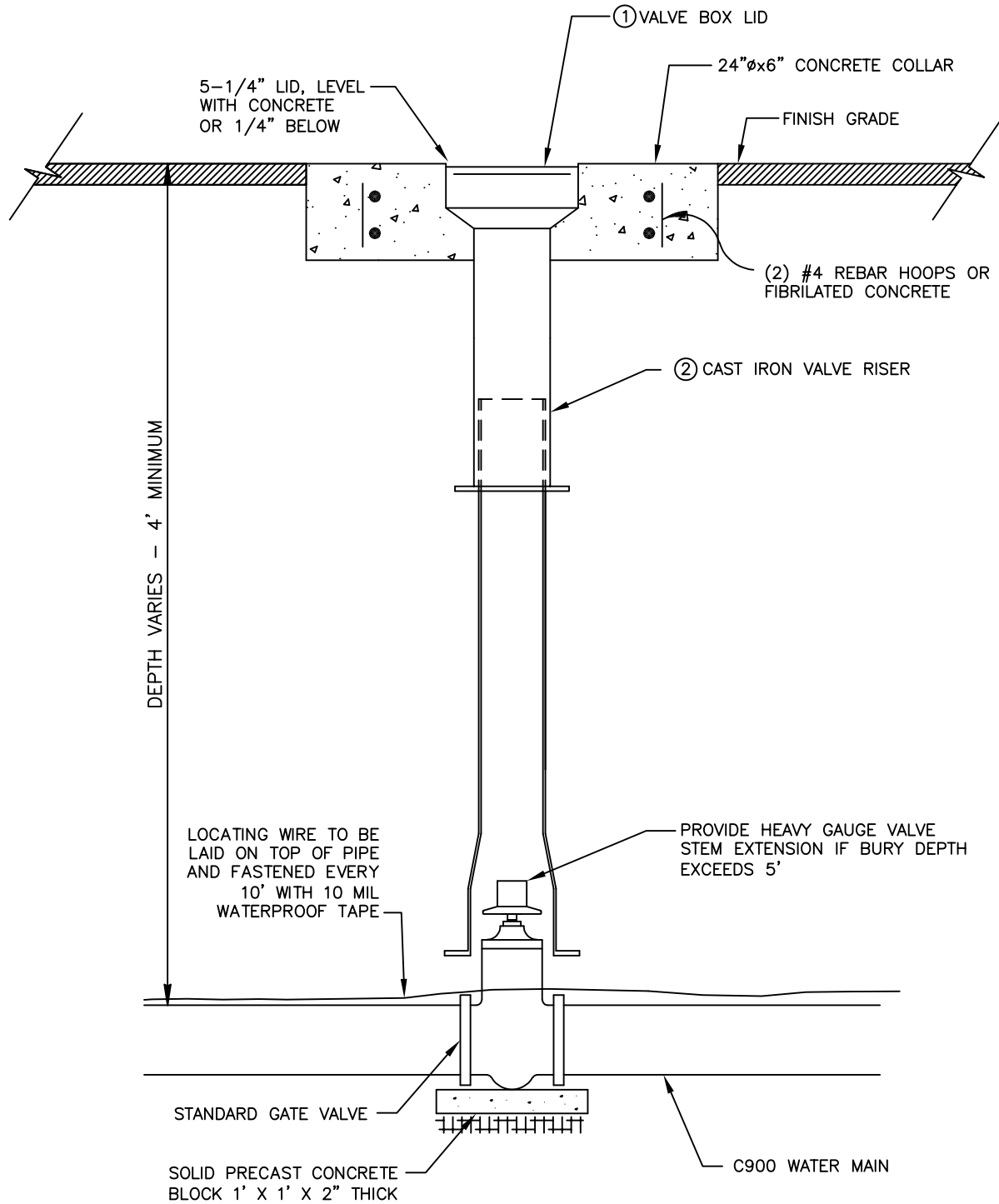
REVISED DEC 2017

CITY OF MERIDIAN
SUPPLEMENTAL
SPECIFICATIONS
TO THE IDAHO STANDARDS FOR
PUBLIC WORKS CONSTRUCTION

FIRE HYDRANT BOLLARD

STANDARD DRAWING NO.

W10

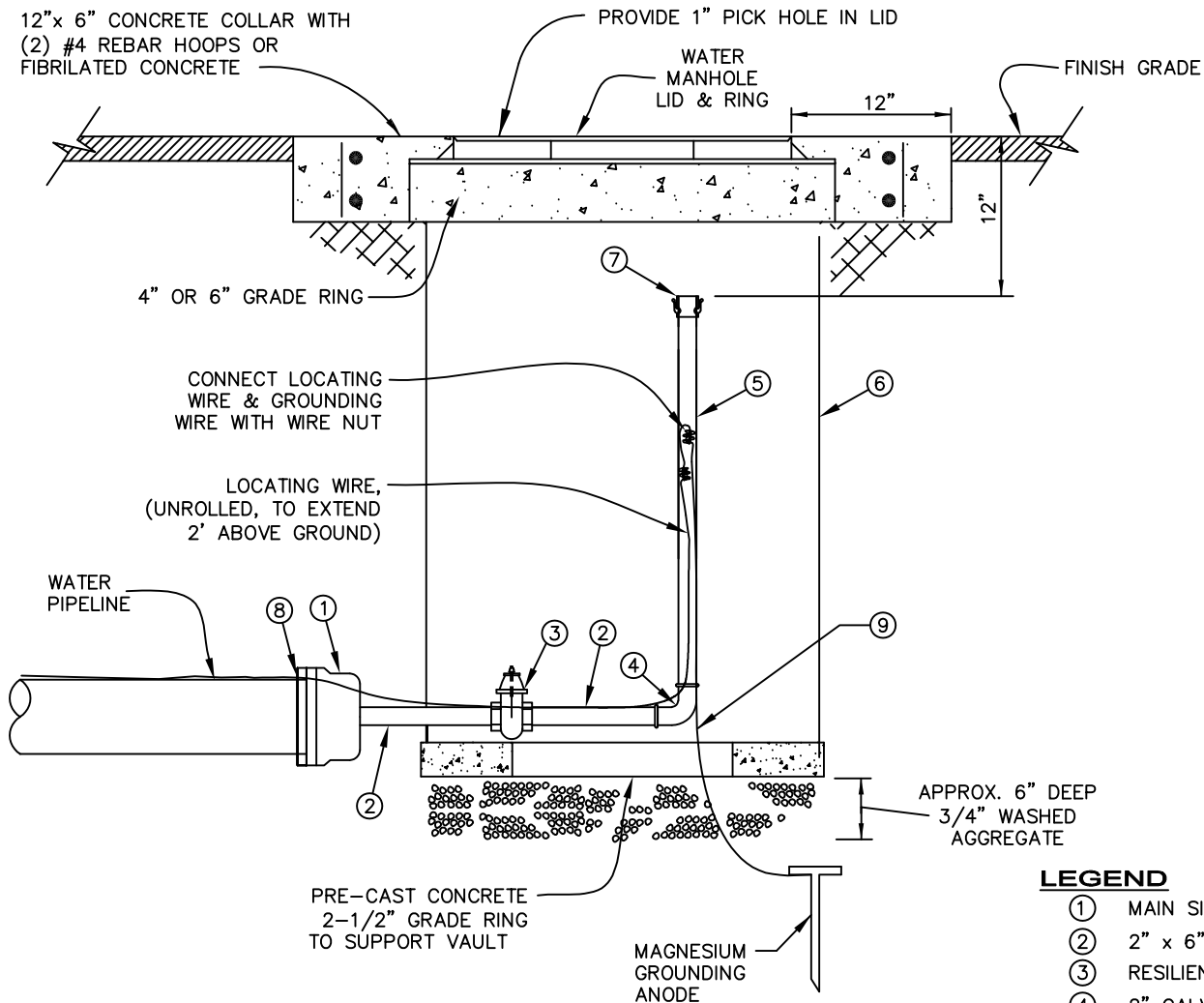


NOTES

- ① FOR VALVE BOXES IN STREETS WITH A SPEED LIMIT GREATER THAN OR EQUAL TO 35 MPH, USE HEAVY WEIGHT TRI-SKIRT LID.

REVISED JULY 2023

<p>CITY OF MERIDIAN SUPPLEMENTAL SPECIFICATIONS TO THE IDAHO STANDARDS FOR PUBLIC WORKS CONSTRUCTION</p>	<p>VALVE BOX & LID DETAIL</p>	<p>STANDARD DRAWING NO. W11</p>
--	-----------------------------------	--



LEGEND

- ① MAIN SIZE MJ CAP W/ 2" I.P. PIPE THREAD OUTLET
- ② 2" x 6" GALVANIZED THREADED NIPPLE
- ③ RESILIENT WEDGE GATE VALVE
- ④ 2" GALVANIZED - 90° THREADED ELBOW
- ⑤ 2" GALVANIZED PIPE
- ⑥ 30"Ø CMP OR 30"Ø TRAFFIC RATED HDPE METER VAULT
- ⑦ 2" THREADED FIP x ALUM. KAM-LOC QUICK COUPLING MALE ADAPTOR (NO CAP)
- ⑧ JOINT RESTRAINT
- ⑨ GROUNDING WIRE

NOTES

1. WHEN CONSTRUCTING A BLOW-OFF FOR TEMPORARY USE, A 18"-36" FOOT LENGTH OF WATER PIPE SHALL BE INSTALLED INTO THE BELL END OF THE LAST LENGTH OF MAIN. PUP JOINT SHALL BE RESTRAINED.
2. JOINT RESTRAINTS TO BE PROVIDED ON LAST THREE STICKS OF PIPE, AND CAP.
3. REPLACE ALL 2" PARTS WITH 4" PARTS TO MAKE 4" ASSEMBLY.

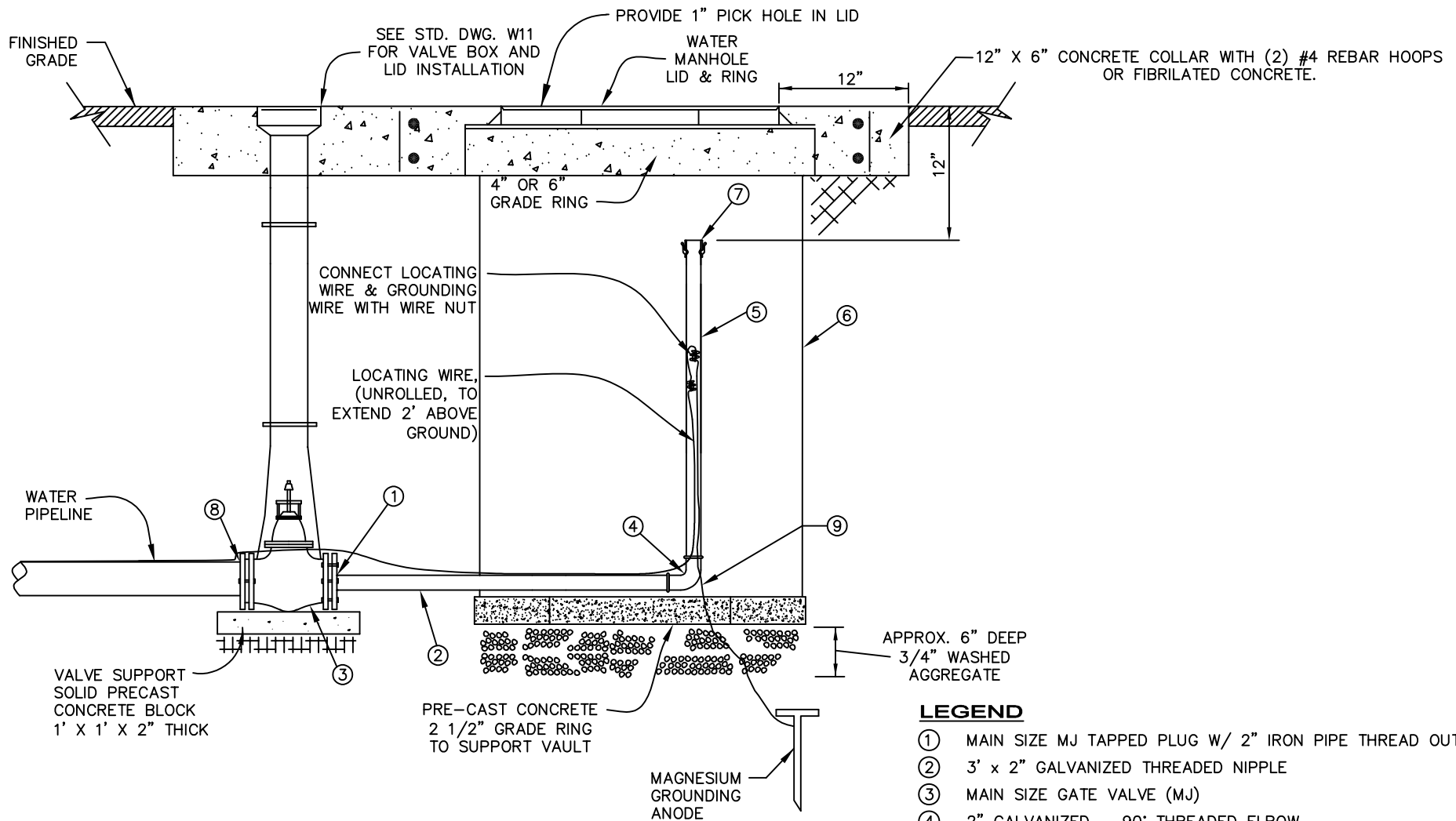
REVISED JANUARY 2024

CITY OF MERIDIAN
SUPPLEMENTAL
SPECIFICATIONS
TO THE IDAHO STANDARDS FOR
PUBLIC WORKS CONSTRUCTION

2" OR 4" BLOWOFF ASSEMBLY

STANDARD DRAWING NO.

W12



NOTES

1. JOINT RESTRAINTS TO BE PROVIDED ON LAST THREE STICKS OF PIPE, AND VALVE.
2. REPLACE ALL 2" PARTS WITH 4" PARTS TO MAKE 4" ASSEMBLY.

LEGEND

- ① MAIN SIZE MJ TAPPED PLUG W/ 2" IRON PIPE THREAD OUTLET
- ② 3' x 2" GALVANIZED THREADED NIPPLE
- ③ MAIN SIZE GATE VALVE (MJ)
- ④ 2" GALVANIZED - 90° THREADED ELBOW
- ⑤ 2" GALVANIZED PIPE
- ⑥ 30"Ø CMP OR 30"Ø TRAFFIC RELATED HDPE METER VAULT
- ⑦ 2" THREADED FIP x ALUM. KAM-LOC QUICK COUPLING MALE ADAPTOR (NO CAP)
- ⑧ JOINT RESTRAINT
- ⑨ GROUNDING WIRE

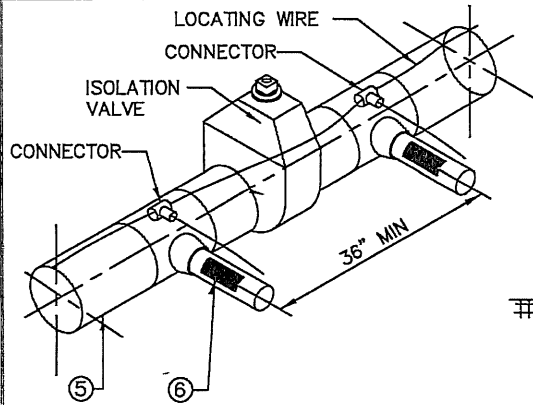
REVISED JANUARY 2024

CITY OF MERIDIAN
 SUPPLEMENTAL
 SPECIFICATIONS
 TO THE IDAHO STANDARDS FOR
 PUBLIC WORKS CONSTRUCTION

**2" or 4" BLOWOFF ASSEMBLY
 WITH GATE VALVE**

STANDARD DRAWING NO.

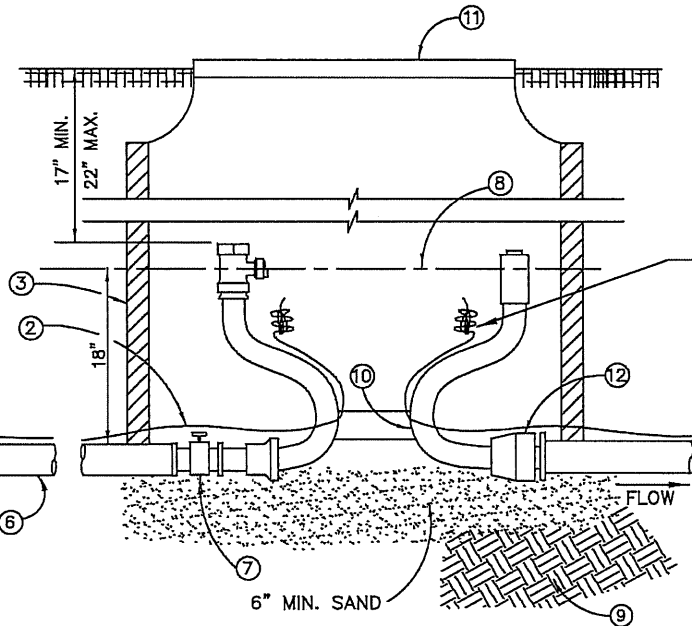
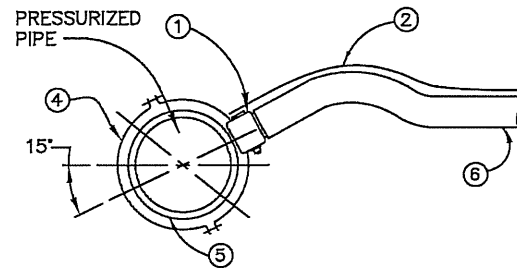
W13



ISOMETRIC VIEW OF TAP CONNECTION

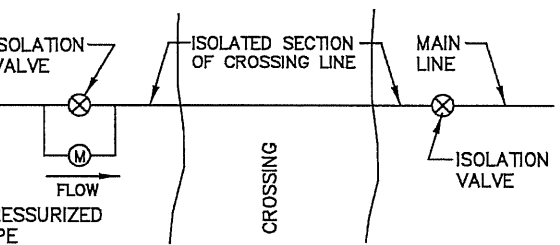
NOTES

1. PER W1 AS APPLICABLE
2. WHEN METERING STATION IS USED FOR RECLAIMED WATER, ALL ABOVE GROUND APPURTANANCES SHALL BE COLORED PURPLE, PANTONE 512, 522 OR EQUAL.



PROVIDE LENGTH OF WIRE TO ALLOW LOOP AT LEAST 24\"/>

SEE TYPICAL PLAN AT ISOLATED CROSSING BELOW



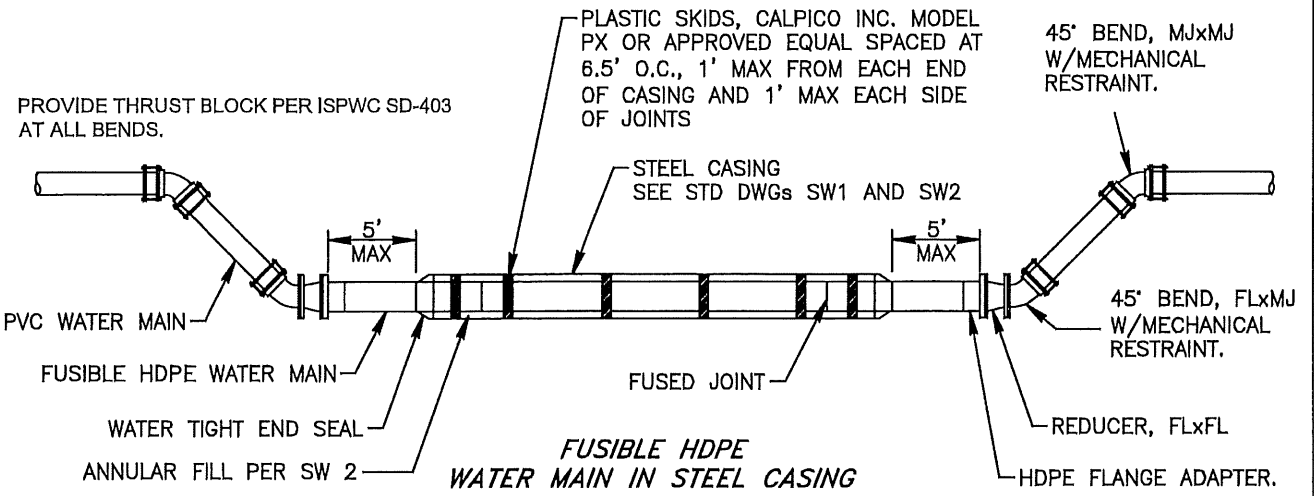
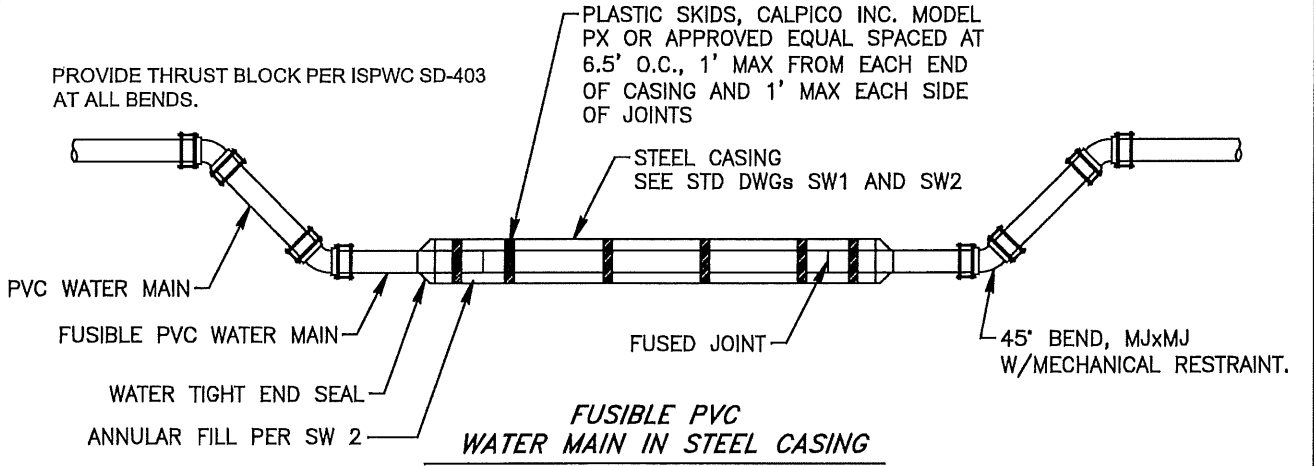
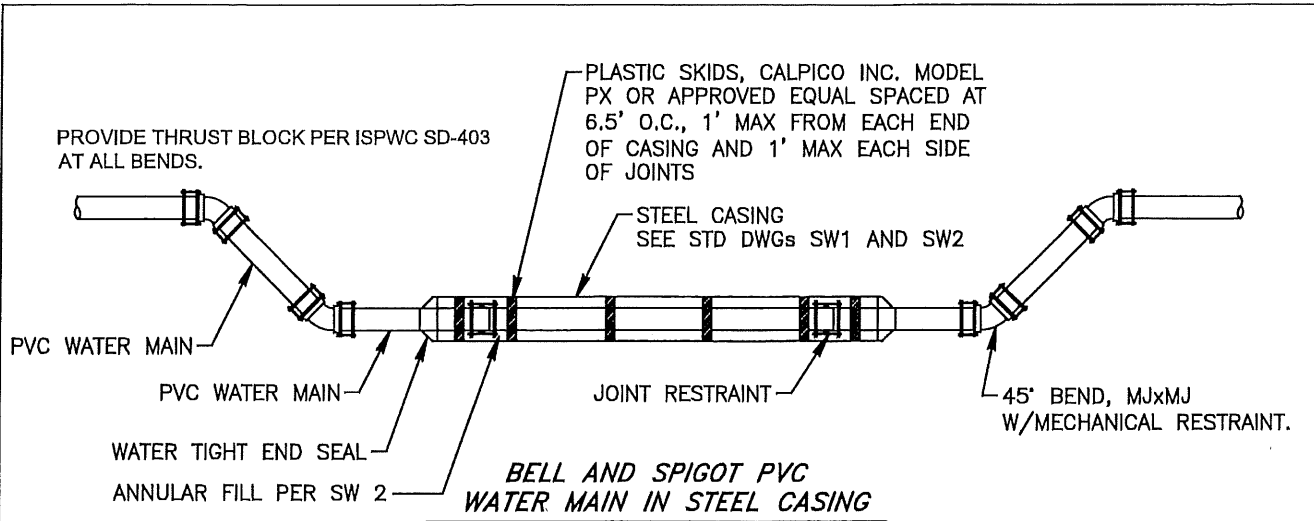
TYPICAL PLAN AT ISOLATED CROSSING

LEGEND

- | | |
|---|---|
| <ul style="list-style-type: none"> ① BALL CORPORATION STOPS (1") ② LOCATING WIRE (BLUE). ③ 20" DIA. X 36" PVC VAULT; NOTCH FOR SERVICE LINES. ④ SERVICE SADDLE EPOXY COATED FACING WITH STAINLESS STEEL BAND AND HARDWARE ⑤ WATER MAIN ⑥ 1" LINE ⑦ FULL OPENING BALL VALVE | <ul style="list-style-type: none"> ⑧ FUTURE METER INSTALLED BY MERIDIAN WATER DEPT. ⑨ FIRM UNDISTURBED EARTH ⑩ 3/4" METER SETTER WITH LOCKABLE KEY VALVE ⑪ COVER ⑫ COMPRESSION FITTING 3/4" X 1" |
|---|---|

REVISED DEC 2017

CITY OF MERIDIAN SUPPLEMENTAL SPECIFICATIONS TO THE IDAHO STANDARDS FOR PUBLIC WORKS CONSTRUCTION	LEAK DETECTION METERING STATION "CROSSINGS"	STANDARD DRAWING NO. W14
---	--	------------------------------------



REVISED MAY 2021

CITY OF MERIDIAN
 SUPPLEMENTAL
 SPECIFICATIONS
 TO THE IDAHO STANDARDS FOR
 PUBLIC WORKS CONSTRUCTION

WATER MAIN
 IN STEEL CASING

STANDARD DRAWING NO.
W15-A

WATER MAIN IN STEEL CASING NOTES:

1. STEEL CASINGS INSTALLED ABOVE NORMAL HIGH GROUNDWATER SHALL MEET THE FOLLOWING:
 - IF BELL AND SPIGOT PVC WATER MAIN PIPE IS USED, SPACERS AND JOINT RESTRAINTS SHALL BE REQUIRED THROUGH THE CASING.
 - IF FUSIBLE PVC WATER MAIN PIPE IS USED, IT SHALL BE DR 18 OR STRONGER, MEET OR EXCEED THE INSIDE DIAMETER OF THE PIPE ON EITHER SIDE OF THE CASING, ALL PLASTIC (NO METAL BANDS) SPACERS SHALL BE REQUIRED THROUGH OUT THE CASING, THE ANNULAR SPACE SHALL BE FILLED PER STANDARD DRAWING SW2 AND A RESTRAINED CONNECTION SHALL BE MADE TO THE PIPE OUTSIDE OF THE CASING. SEE STANDARD DRAWING W15.
 - IF FUSIBLE HDPE WATER MAIN PIPE IS USED, IT SHALL BE DR 9 OF STRONGER, MEET OR EXCEED THE INSIDE DIAMETER OF THE PIPE ON EITHER SIDE OF THE CASING, ALL PLASTIC (NO METAL BANDS) SPACERS SHALL BE REQUIRED THROUGH OUT THE CASING, THE ANNULAR SPACE SHALL BE FILLED PER STANDARD DRAWING SW2, TRANSITION TO AN APPROPRIATE BEND OR REDUCER SHALL BE MADE USING AN HDPE FUSIBLE FLANGE ADAPTER. THE TRANSITION SHALL OCCUR WITHIN 5 FEET OF THE END OF THE STEEL CASING AND PROVIDE A RESTRAINED CONNECTION TO THE PIPE OUTSIDE OF THE CASING. SEE STANDARD DRAWING W15.

6. STEEL CASINGS INSTALLED BELOW THE NORMAL HIGH GROUNDWATER MARK OR ACROSS STATE HIGHWAYS SHALL MEET THE FOLLOWING:
 - FUSIBLE HDPE OR FUSIBLE PVC WATER MAIN PIPE SHALL BE USED. THE REQUIREMENTS OF NOTE 1 SHALL BE MET.

REVISED MAY 2021

CITY OF MERIDIAN
SUPPLEMENTAL
SPECIFICATIONS
TO THE IDAHO STANDARDS FOR
PUBLIC WORKS CONSTRUCTION

WATER MAIN
IN STEEL CASING

STANDARD DRAWING NO.

W15-B

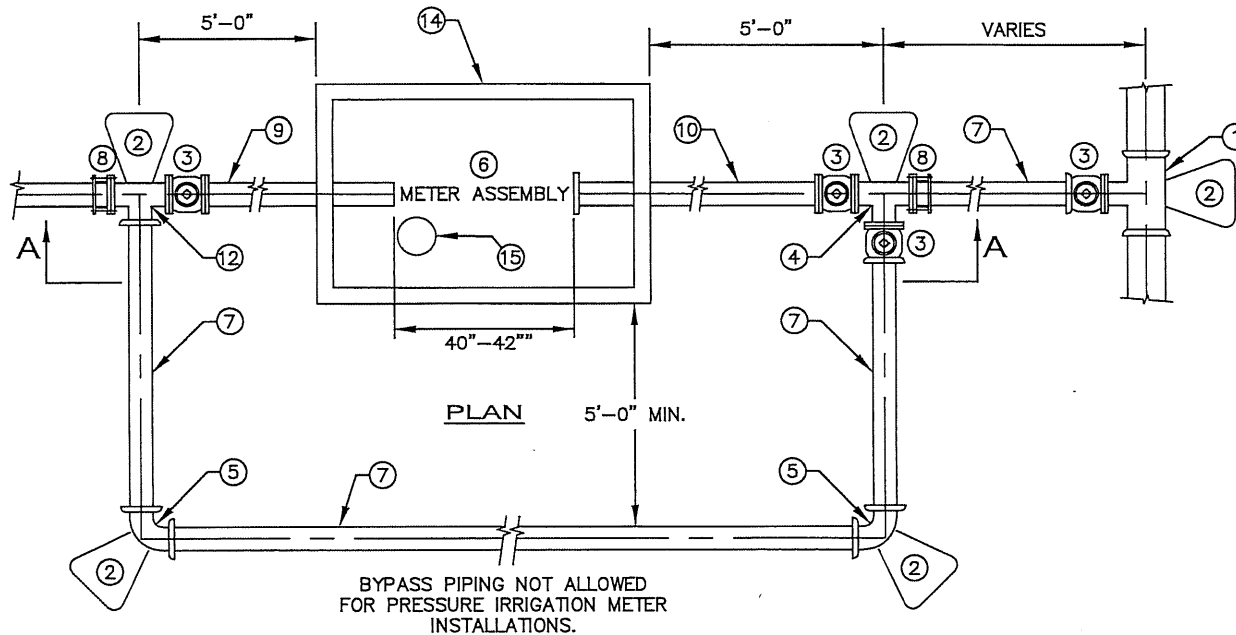
LEGEND

- 1 MAIN SIZE MJ x 6" FLG TEE, OR STAINLESS STEEL TAPPING SADDLE
- 2 THRUST BLOCK
- 3 6" FLG x MJ GATE VALVE w/ VALVE BOX PER DRAWING W11
- 4 6" FLG TEE
- 5 6" MJ 90° BEND
- 6 METER ASSEMBLY:
 * 6" COUPLING
 * 6" x 11" FL x PE SPOOL
 * 6" FL x FL METER BLANK (SUPPLIED BY CITY)
- 7 C-900 PIPE
- 8 6" FLG x MJ ADAPTOR
- 9 D.I.P. FLG x PE
- 10 D.I.P. FLG x FLG SPOOL
- 11 SUPPORT STAND W/ S.S. ANCHOR BOLTS, PROVIDE FOR INSTALLATION WITH METER ASSEMBLY - DO NOT BOLT DOWN
- 12 6" FLG x FLG x MJ TEE
- 13 HS-20 LOADING RATED HATCH DOOR AND FRAME AT LEAST 48 INCHES WIDE.
- 14 5'-6"L x 3'-6"W, INSIDE, PRECAST CONCRETE VAULT W/ HS-20 LOADING RATED LID
- 15 12" DIAMETER x 2" DEEP SUMP, DO NOT PLACE UNDER PIPING

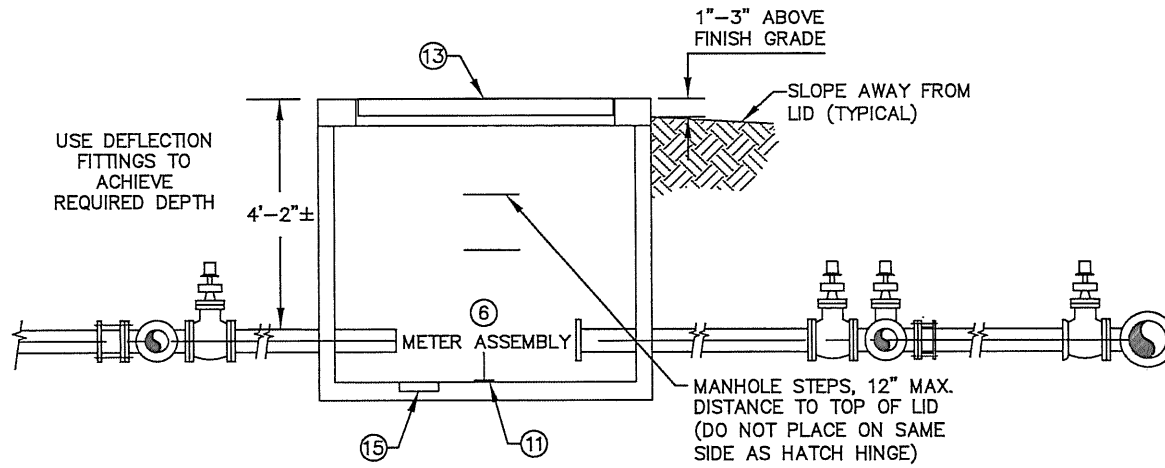
NOTES

- 1. LOCATING WIRE TO BE INSTALLED FROM MAIN TO VAULT ALONG METERED LINE AND BYPASS. WIRE ALONG BYPASS TO ENTER VAULT FROM REAR.
- 2. VAULT LOCATION MUST BE ACCESSIBLE FOR OPERATION AND MAINTENANCE AND OUTSIDE OF TRAFFIC AREAS.

REVISED DEC 2022

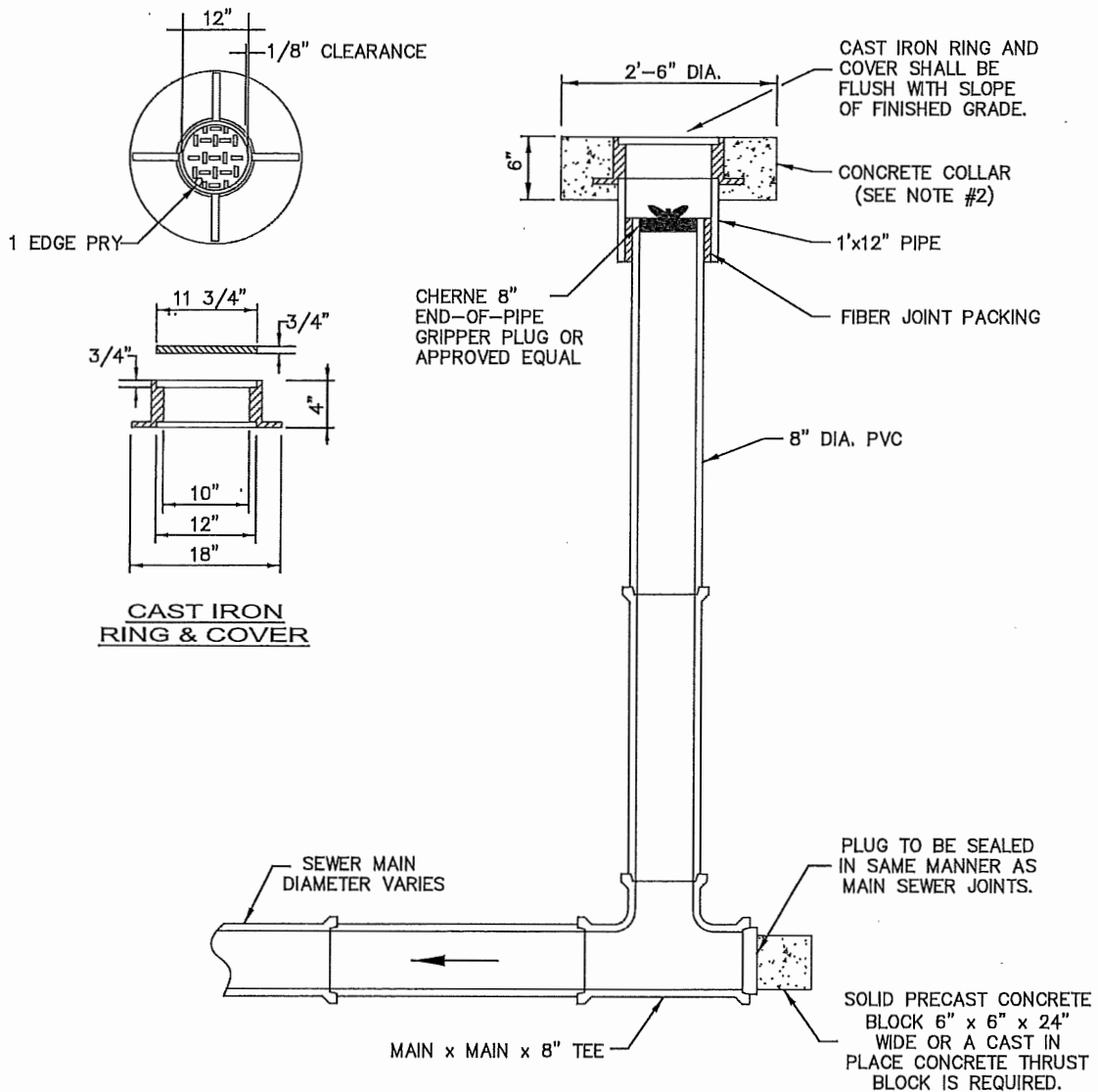


BYPASS PIPING NOT ALLOWED FOR PRESSURE IRRIGATION METER INSTALLATIONS.



SECTION A-A

CITY OF MERIDIAN SUPPLEMENTAL SPECIFICATIONS TO THE IDAHO STANDARDS FOR PUBLIC WORKS CONSTRUCTION	6" WATER SERVICE CONNECTION	STANDARD DRAWING NO. W16
---	---	---



NOTES

1. CLEANOUT LIDS MUST BE LABELED WITH THE WORD "SEWER".
2. FRIBILLATED POLYPROPYLENE FIBER (ADDED PER MANUFACTURER'S RECOMMENDATIONS) MAY BE USED IN LIEU OF #4 REBAR IN CONCRETE COLLARS.
3. THE MAXIMUM DISTANCE FROM A MANHOLE TO A PROPOSED CLEANOUT IS 150 FEET.
4. NO SERVICES WILL BE CONNECTED TO THE SEWER LINE TERMINATING IN A CLEANOUT.

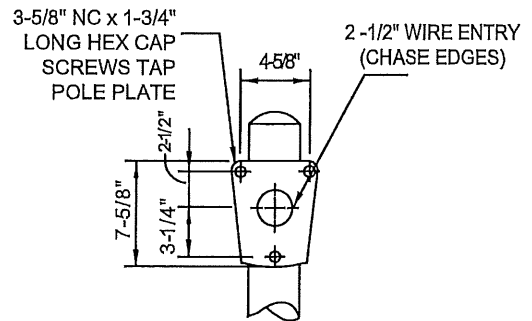
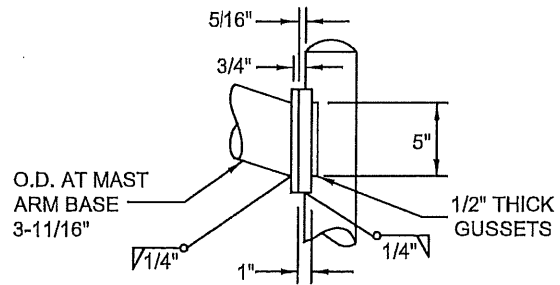
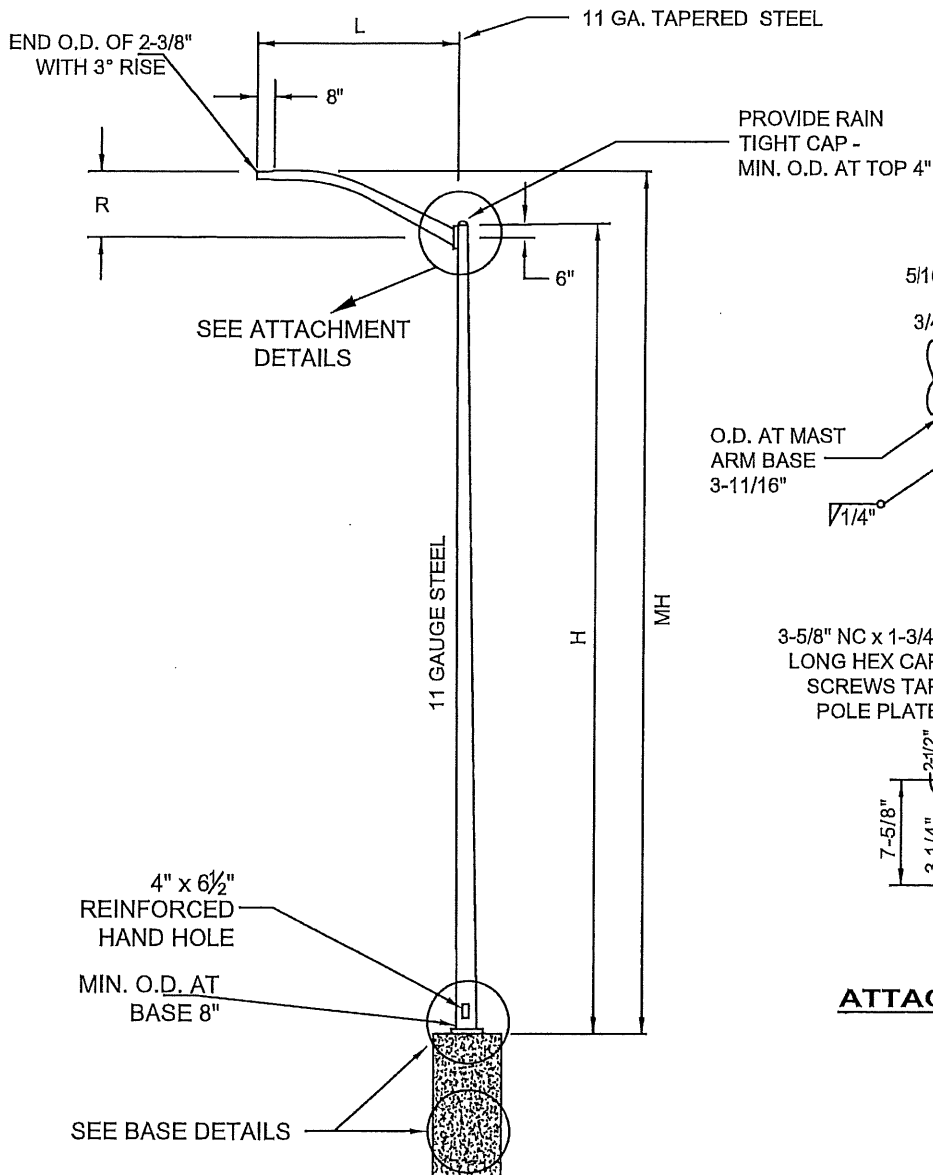
REVISED 2022

CITY OF MERIDIAN
 SUPPLEMENTAL
 SPECIFICATIONS
 TO THE IDAHO STANDARDS FOR
 PUBLIC WORKS CONSTRUCTION

'T'-TYPE CLEAN-OUT

STANDARD DRAWING NO.

S1



ATTACHMENT DETAILS

GENERAL NOTES:

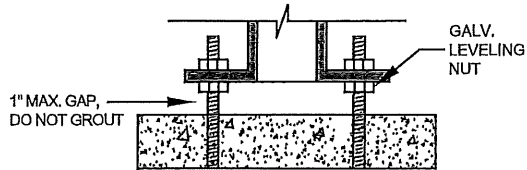
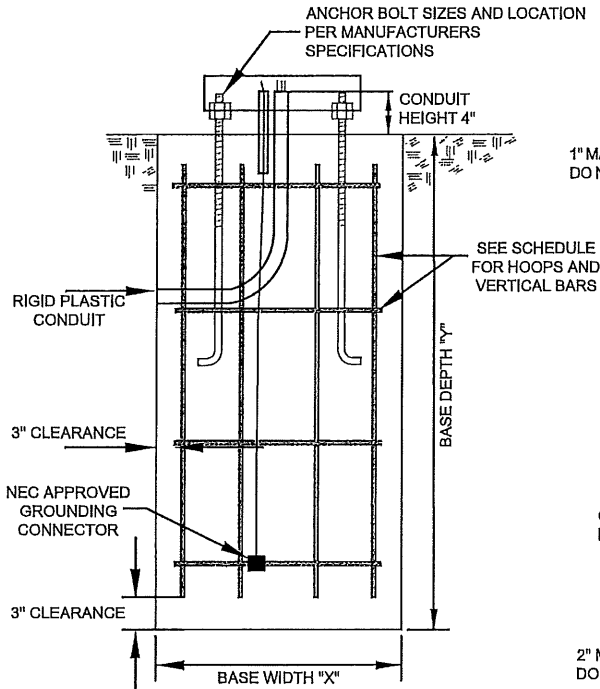
1. MATERIALS AND CONSTRUCTION SHALL CONFORM TO AASHTO STANDARD SPECIFICATIONS FOR STRUCTURAL SUPPORTS FOR HIGHWAY SIGNS, LUMINAIRES, AND TRAFFIC SIGNALS, 5TH EDITION
2. POLE SHAFT AND MAST ARM SHALL BE ROUND OR 12-SIDED STEEL
3. POLE SHAFT SHALL CONFORM TO ASTM A572 GRADE 50

Nominal MH	L	R	H	Actual MH
30'	8'	2'	28.5'	30
35'	12'	2.5'	33'	35
35'	15'	3'	33'	35.5

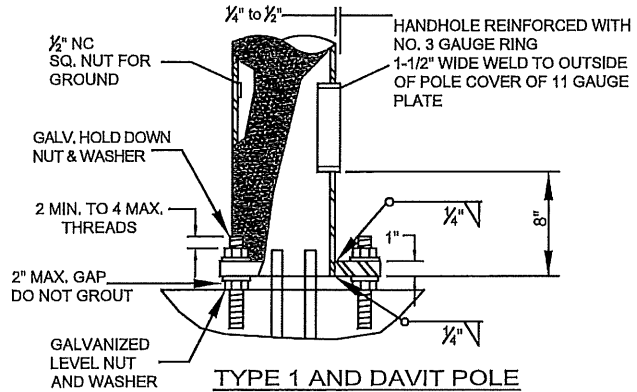
REVISED JUN 2016

CITY OF MERIDIAN SUPPLEMENTAL SPECIFICATIONS TO THE IDAHO STANDARDS FOR PUBLIC WORKS CONSTRUCTION	<h2 style="margin: 0;">TYPE 1 MAST ARM LUMINAIRE</h2>	STANDARD DRAWING NO. <h1 style="margin: 0;">T1</h1>
---	---	--

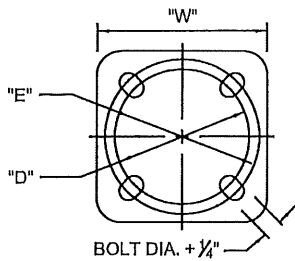
POLE TYPE	X	Y	D	E	W	HOOPS			RODS		
						NO.	SIZE	LIN. FT	NO.	SIZE	LIN. FT
TYPE 1 - 30'	24"	60"	10½"	11"	11½"	4	#4	21'	6	#4	36'
TYPE 1 - 35'	30"	84"	10½"	11"	11½"	6	#4	41'	6	#6	39'
TYPE 2	24"	60"	8"	9"	8"	4	#4	21'	6	#4	27'
HISTORICAL	24"	60"	12"	13"	N/A	4	#4	21'	6	#4	27'
DAVIT	24"	72"	10½"	11"	11½"	5	#4	31' 4"	8	#5	44'



**TYPE 2 AND HISTORICAL
POLE BASE DETAIL**



**TYPE 1 AND DAVIT POLE
BASE DETAIL**



**BASEPLATE AND BOLT
PATTERN DETAIL**

GENERAL NOTES:

1. CONCRETE FOR FOUNDATIONS SHALL HAVE A MINIMUM 28-DAY COMPRESSIVE STRENGTH OF 3,000 PSI.
2. ALL REBAR REINFORCEMENT SHALL HAVE 3" CLEARANCE FROM OUTSIDE OF CONCRETE FOUNDATION.
3. HOOP SHALL HAVE A 6" LAP LENGTH MINIMUM
4. BREAKAWAY BOLTS ARE REQUIRED WHEN ON STATE HIGHWAYS, SEE ITD STANDARD DRAWING I-7-C.
5. TYPE 1, TYPE 2 AND DAVIT POLE TO BE PROVIDED WITH METAL, 2-PIECE BASE COVER TO MATCH POLE FINISH
6. ALL CONDUIT ELBOWS USED IN CONCRETE BASES SHALL BE RPC
7. STEEL CONDUIT SHALL BE USED TO EXTEND ELBOWS BEYOND FOUNDATION
8. SPARE STUBOUTS SHALL BE TERMINATED WITH A STEEL COUPLING AND PLASTIC PUSH PLUG AT BOTH ENDS

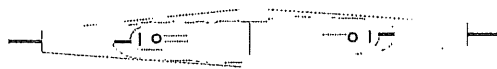
REVISED JUL 2018

CITY OF MERIDIAN
SUPPLEMENTAL
SPECIFICATIONS
TO THE IDAHO STANDARDS FOR
PUBLIC WORKS CONSTRUCTION

**DETAILS FOR
STREET LIGHT BASE INSTALLATION**

STANDARD DRAWING NO.

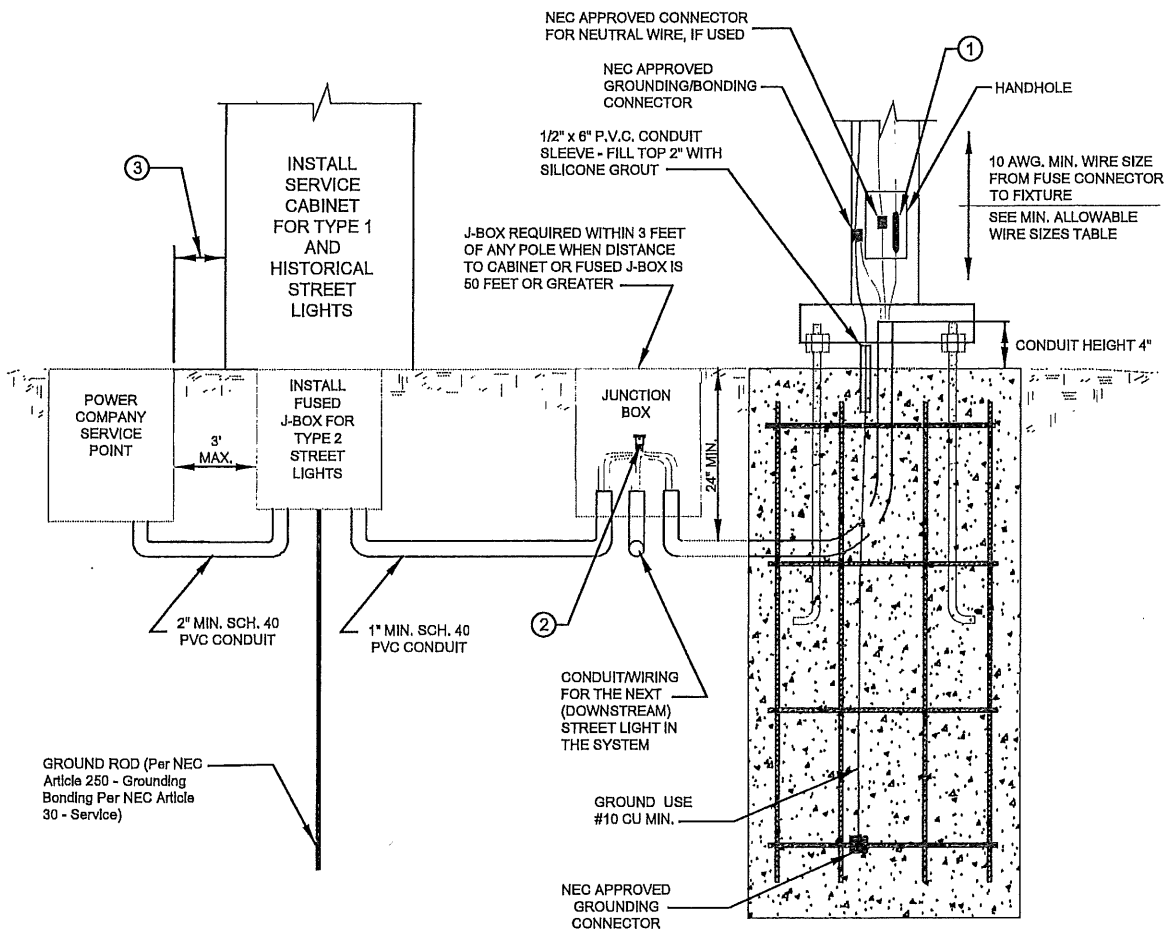
T2



FUSED "IN-LINE" TYPE WIRE CONNECTOR
MODEL SEC 1791-SF OR APPROVED EQUAL

MINIMUM ALLOWABLE WIRE SIZES (AWG)*					
TYPE 1 COBRAHEAD		TYPE 2 - SHOEBOX		HISTORICAL	
VOLTAGE	AWG (MIN)	VOLTAGE	AWG (MIN)	VOLTAGE	AWG (MIN)
120	4	120	6	120	10
208	8	208	NOT ALLOWED	208	10
240	10	240	NOT ALLOWED	240	10
277	NOT ALLOWED	277	NOT ALLOWED	277	NOT ALLOWED
480	NOT ALLOWED	480	NOT ALLOWED	480	NOT ALLOWED
* MAX. RUN LENGTH - 2500'		* MAX. RUN LENGTH - 1500'		* MAX. RUN LENGTH - 1000'	

* MAX. RUN LENGTHS FROM SERVICE POINT TO FARTHEST STREET LIGHT BEING SERVED BY THE SYSTEM SHALL NOT EXCEED SPECIFIED DISTANCE



LEGEND

- ① EACH PHASE CONDUCTOR SHALL BE FUSED AT EVERY POLE AND SERVICE JUNCTION BOX BY MEANS OF IN-LINE CONNECTORS. USE ONLY FAST ACTING FUSES RATED 100K RMS AMPS, 600 VAC
- ② WHEN A SPLICE IS REQUIRED USE SEC MODEL 0791-0 SPLICE KIT, POLARIS SSB 2/0, OR APPROVED EQUAL AN 18" MINIMUM SLACK LOOP IS REQUIRED IN ALL JUNCTION BOXES
- ③ IF DISTANCE FROM POWER COMPANY SERVICE POINT TO SERVICE CABINET IS GREATER THAN 10 FEET, A FUSED J-BOX SHALL BE INSTALLED WITHIN 10 FEET OF POWER COMPANY SERVICE POINT. DISTANCE FROM POWER COMPANY SERVICE POINT TO SERVICE CABINET SHALL NOT EXCEED 150 FEET.

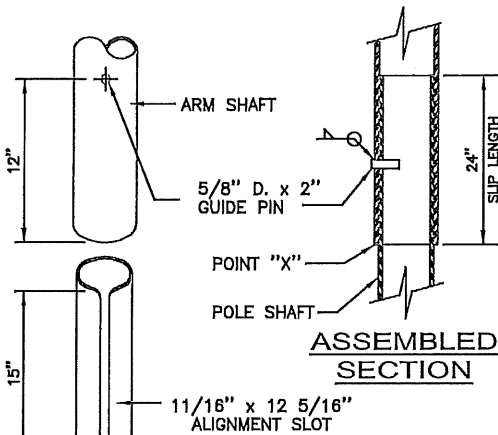
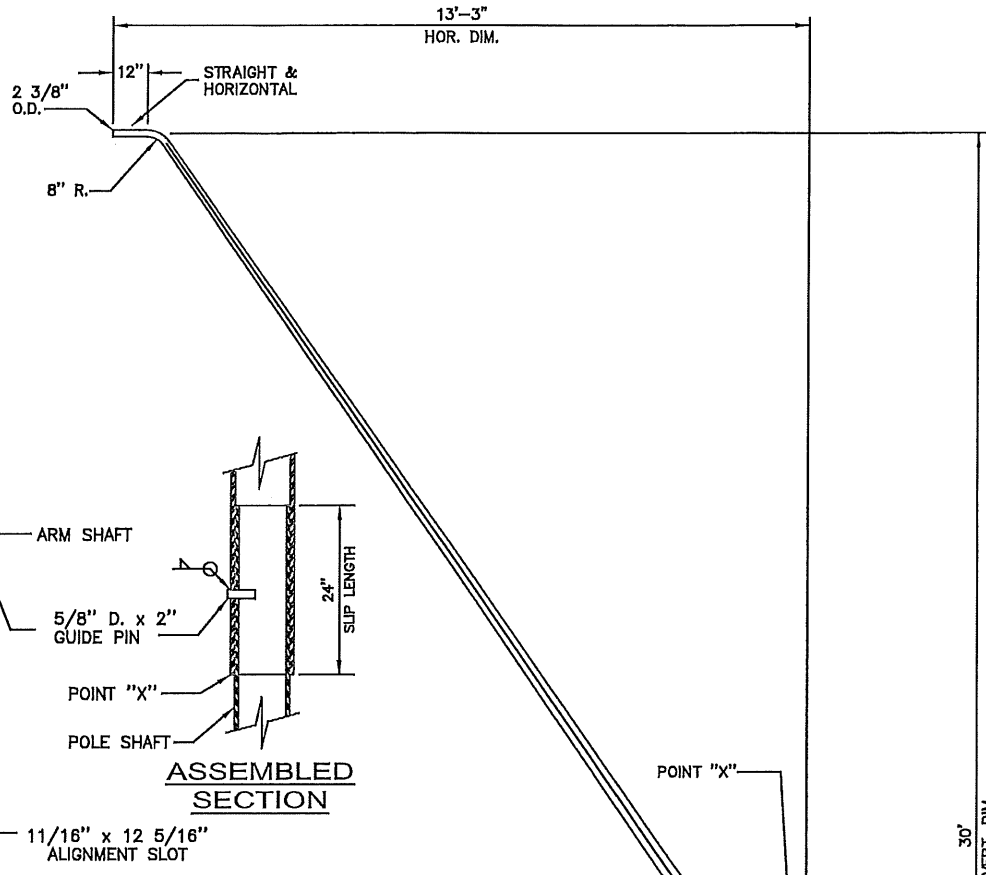
REVISED 2013

CITY OF MERIDIAN
SUPPLEMENTAL
SPECIFICATIONS
TO THE IDAHO STANDARDS FOR
PUBLIC WORKS CONSTRUCTION

**WIRING REQUIREMENTS FOR
STREET LIGHT INSTALLATIONS**

STANDARD DRAWING NO.

T3



NOTE:

SLOT AND GUIDE PIN SHALL BE POSITIONED ON THE TOP SIDE OF THE POLE AND ARM.

**USLIP JOINT MAST
UARM ATTACHMENT**

GENERAL NOTES:

1. MATERIALS AND CONSTRUCTION SHALL CONFORM TO AASHTO STANDARD SPECIFICATIONS FOR STRUCTURAL SUPPORTS FOR HIGHWAY SIGNS, LUMINAIRES, AND TRAFFIC SIGNALS, 5TH EDITION
2. POLE SHAFT SHALL CONFORM TO ASTM A572 GRADE 50, 55, 60, OR 65
3. PIPE ON EACH SIDE OF A CIRCUMFERENTIAL WELD SHALL HAVE THE SAME OUTSIDE DIAMETER AT THE WELD

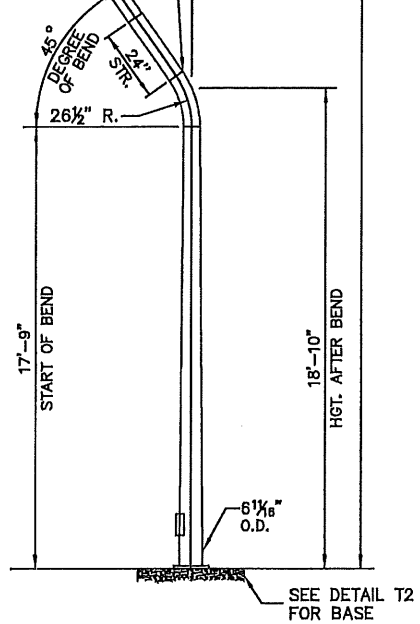
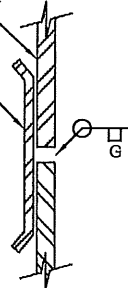
THICKNESS OF FILLER RING (IF NEEDED) TO MATCH DIFFERENCE IN TAPERED TUBE THICKNESS x 1 1/2" WIDE

.135" THK. (10 GAUGE) x 3" WIDE BACK-UP RING

NOTES:

1. ALL BUTT WELDS TO BE GROUND FLUSH
2. LONGITUDINAL: BUTT WELD BY THE SUBMERGED ARC PROCESS
3. CIRCUMFERENTIAL: BUTT WELD WITH PERMANENT BACK-UP RING

SPLICE DETAIL



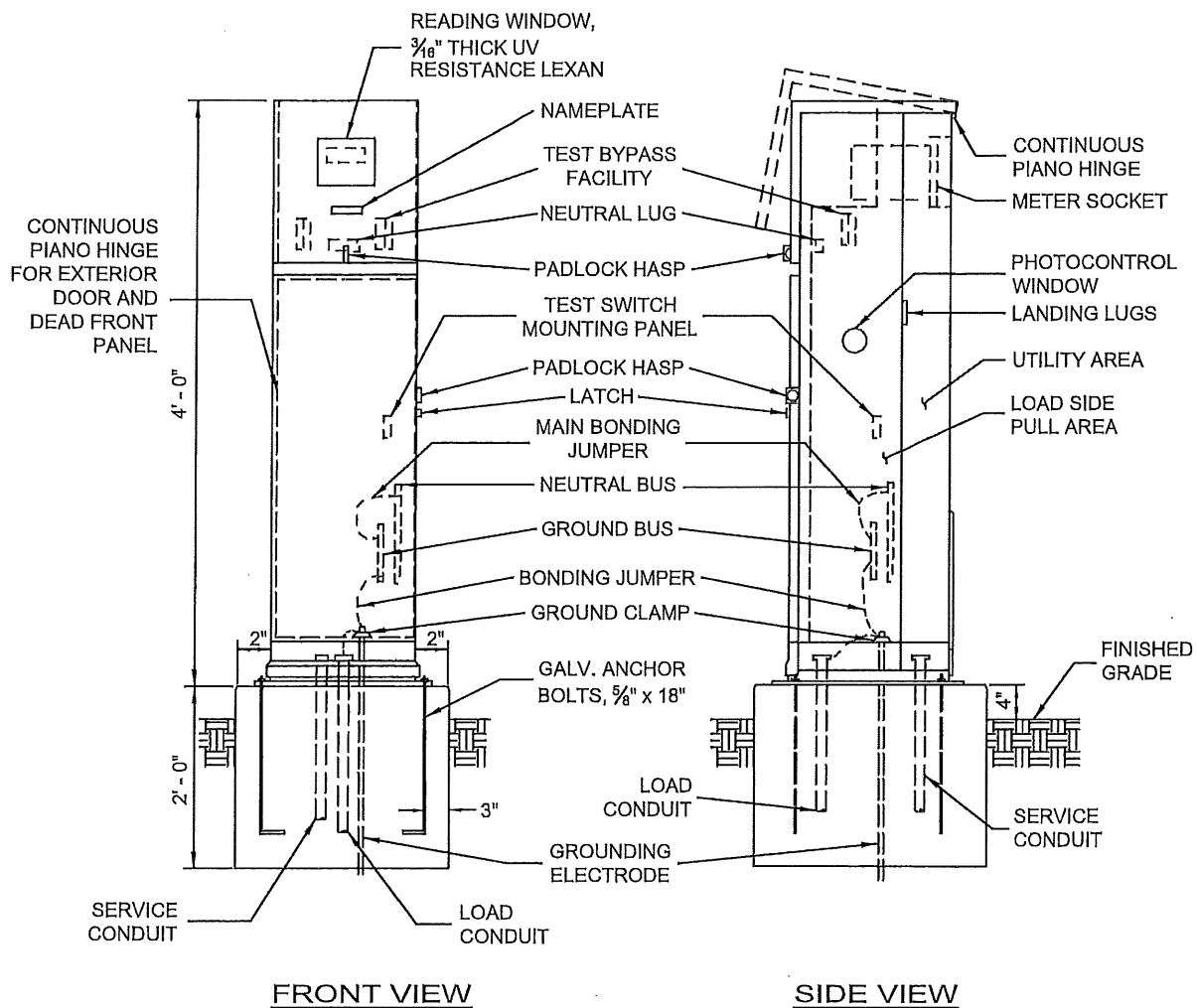
REVISED JUN 2016

CITY OF MERIDIAN
SUPPLEMENTAL
SPECIFICATIONS
TO THE IDAHO STANDARDS FOR
PUBLIC WORKS CONSTRUCTION

DAVIT POLE

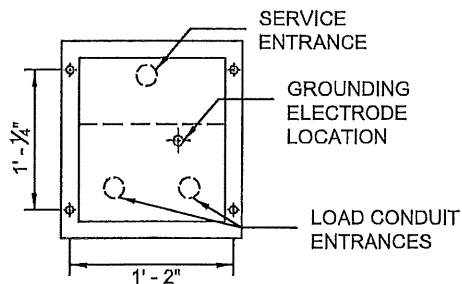
STANDARD DRAWING NO.

T4



GENERAL NOTES:

1. MASTER-KEYED PADLOCKS SHALL BE SUPPLIED WITH CABINETS, CONTACT CITY FOR PADLOCK TYPE.
2. AN ADDITIONAL GROUNDING ELECTRODE SHALL BE DRIVEN 6' FROM CABINET AND WIRED TO GROUND BUS. ADDITIONAL ELECTRODE SHALL BE HOUSED IN A JUNCTION BOX.
3. NO SHRUBS OR TREES SHALL BE PLANTED WITHIN 10' OF CABINET.



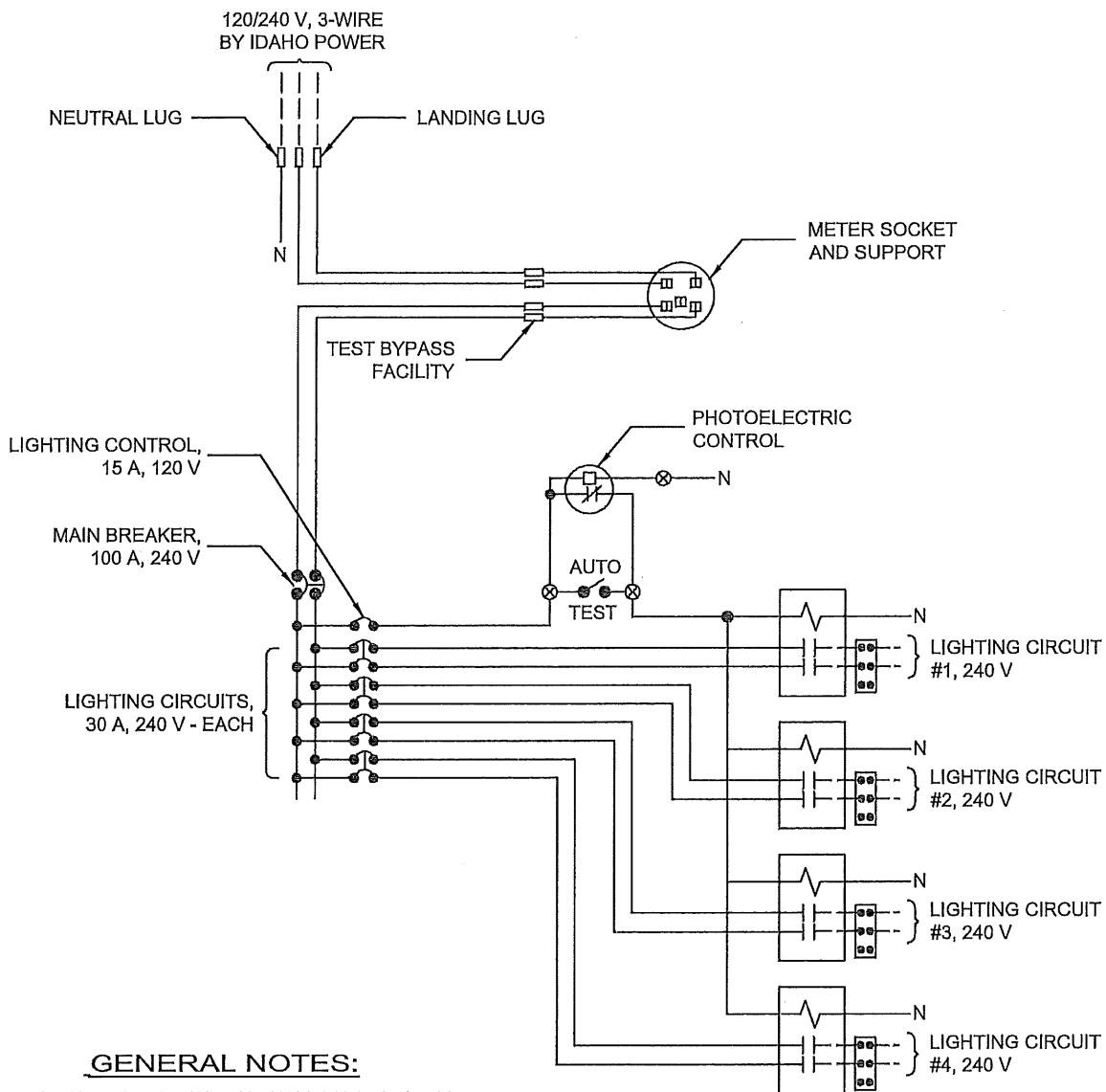
REVISED 2013

CITY OF MERIDIAN
SUPPLEMENTAL
SPECIFICATIONS
TO THE IDAHO STANDARDS FOR
PUBLIC WORKS CONSTRUCTION

**STREET LIGHTING
SERVICE CABINET**

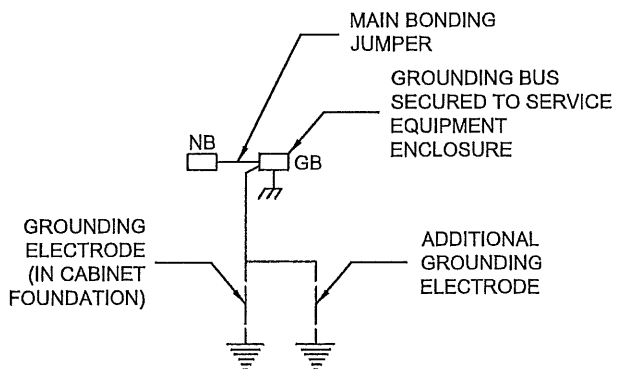
STANDARD DRAWING NO.

T5



GENERAL NOTES:

1. AUTO TEST SWITCH SHALL BE 15 A, 120 V
2. PHOTOELECTRIC CONTROL UNIT SHALL INCLUDE PHOTOCONTROL, A SEPARATOR CONTACTOR, AND A TEST SWITCH
3. NEUTRAL LUG AND NEUTRAL BUS SHALL BE INSULATED FROM THE SERVICE EQUIPMENT ENCLOSURE
4. THE LANDING LUG SHALL BE SUITABLE FOR MULTIPLE CONDUCTORS
5. 2-POLE BREAKERS SHALL BE GANG OPERATED
6. PRESSURE TYPE TERMINALS SHALL BE SUPPLIED AFTER CONTACTORS



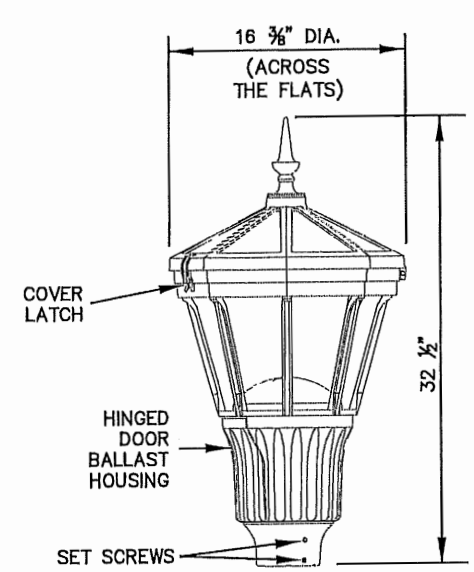
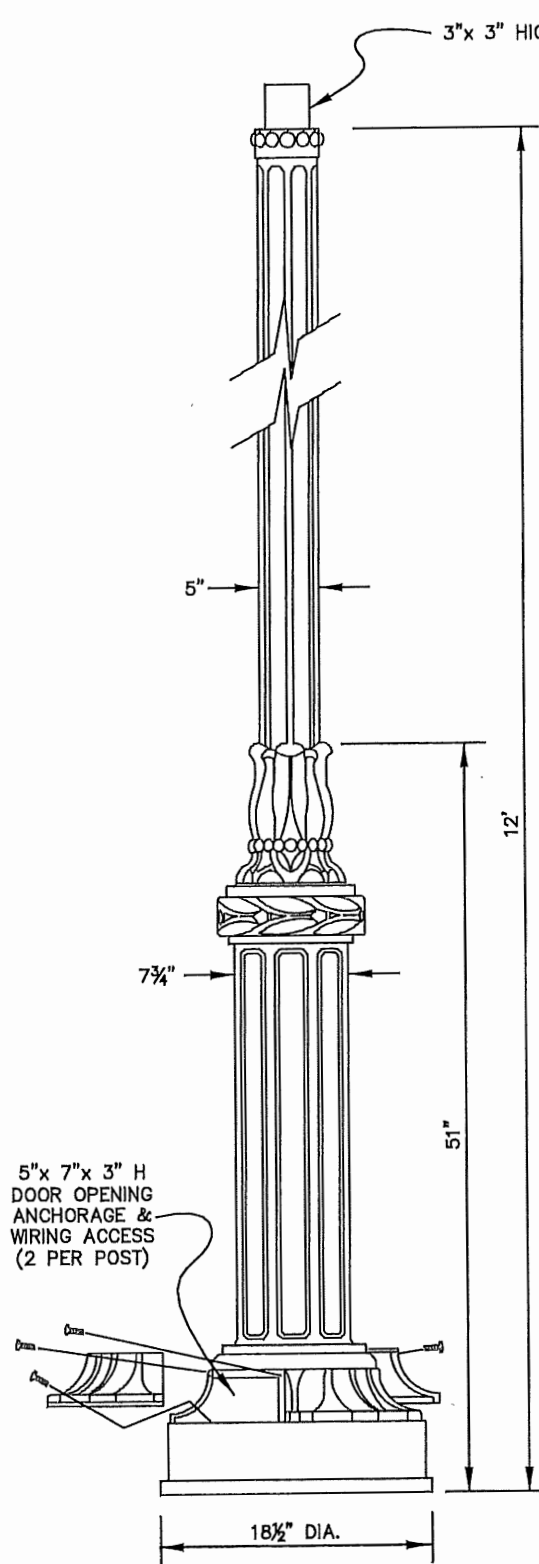
REVISED 2013

CITY OF MERIDIAN
SUPPLEMENTAL
SPECIFICATIONS
TO THE IDAHO STANDARDS FOR
PUBLIC WORKS CONSTRUCTION

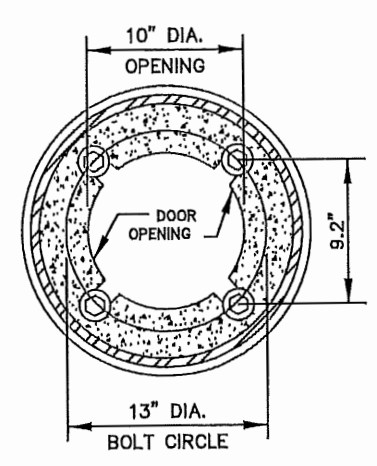
**STREET LIGHTING SERVICE
WIRING DIAGRAM**

STANDARD DRAWING NO.

T6



FIXTURE



BOLT PATTERN

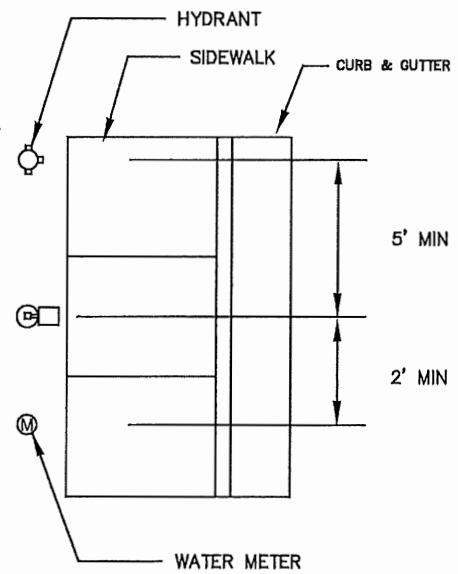
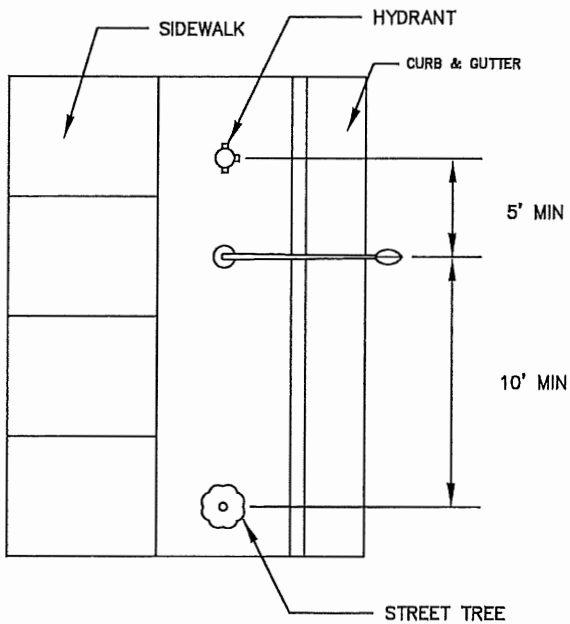
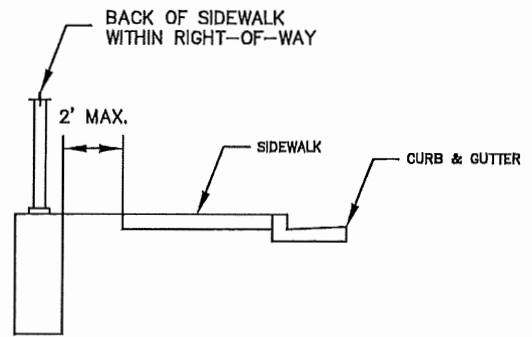
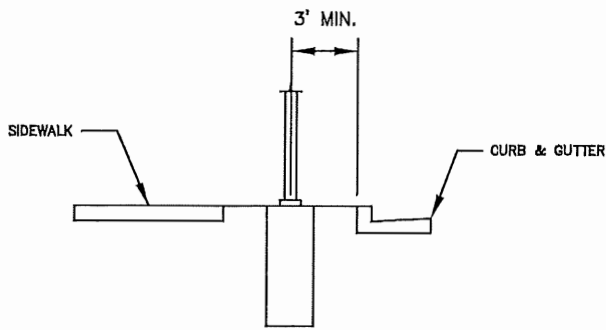
REVISED 2013

CITY OF MERIDIAN
SUPPLEMENTAL
SPECIFICATIONS
TO THE IDAHO STANDARDS FOR
PUBLIC WORKS CONSTRUCTION

**HISTORICAL STREET LIGHT
POLE DETAIL**

STANDARD DRAWING NO.

T7



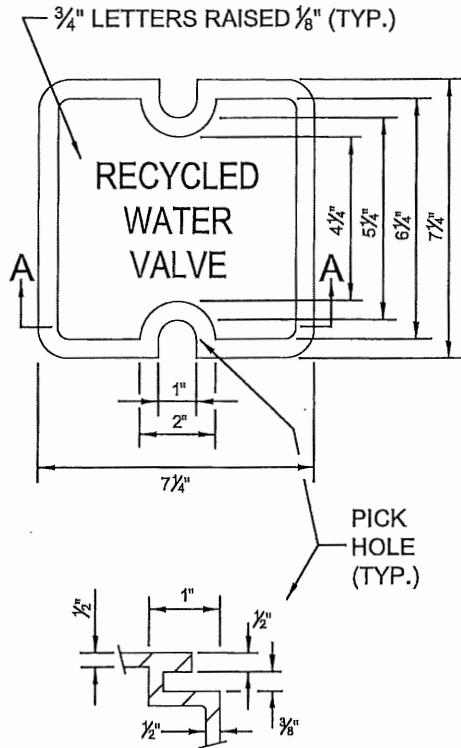
REVISED 2022

CITY OF MERIDIAN
 SUPPLEMENTAL
 SPECIFICATIONS
 TO THE IDAHO STANDARDS FOR
 PUBLIC WORKS CONSTRUCTION

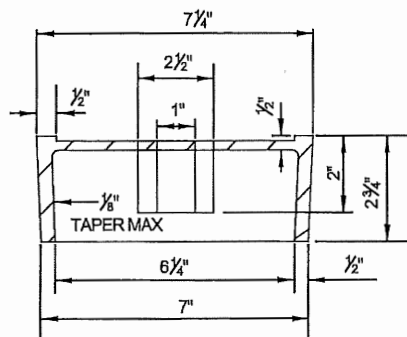
STREET LIGHT BASE LOCATIONS

STANDARD DRAWING NO.

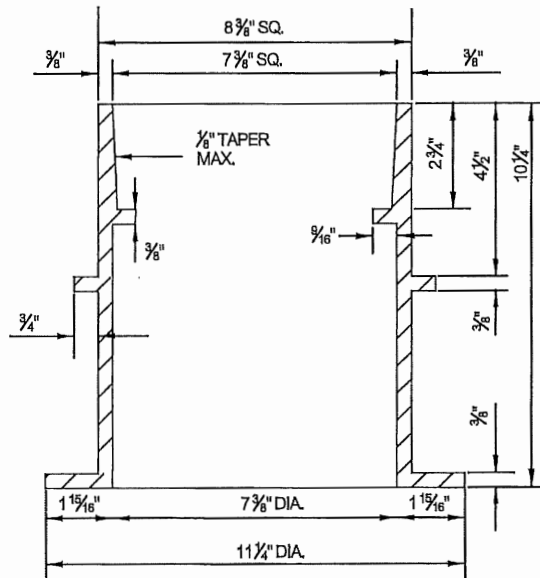
T8



SECTION



**SECTION A-A
COVER**



**SECTION
VALVE BOX**

GENERAL NOTES:

1. ALL MATERIALS SHALL BE CAST IRON PER ASTM A-48, CLASS 30 B.
2. SURFACES OF COVER AND BOX WHICH COME INTO CONTACT WITH EACH OTHER MUST BE SMOOTH AND FREE OF ALL CASTING RIDGES TO ENSURE PROPER FIT.
3. VALVE BOX SHALL HAVE A ROUND BOTTOM TO ACCOMMODATE RISER PIPE. TOP OF VALVE BOX SHALL BE SQUARE. VALVE BOX SHALL BE INSTALLED WITH A REINFORCED CONCRETE COLLAR PER ISPWC.
4. VALVE RISER SHALL 6 INCH PVC COLORED PANTONE 512, 522 OR EQUAL AND NOTCHED AT BOTTOM TO ALLOW FINDER WIRE TO PASS THROUGH.
5. LOCKING DEBRIS CAP COLORED PANTONE 512, 522 OR EQUAL SHALL BE INSTALLED IN THE ROUND RISER SECTION.
6. COIL FINDER WIRE IN VALVE BOX WITH ENOUGH SLACK TO EXTEND WIRE AT LEAST 6" ABOVE FINISHED GRADE. REFER TO THE CITY OF MERIDIAN SUPPLEMENTAL SPECIFICATIONS FOR FINDER WIRE REQUIREMENTS.

REVISED 2019

CITY OF MERIDIAN
SUPPLEMENTAL
SPECIFICATIONS
TO THE IDAHO STANDARDS FOR
PUBLIC WORKS CONSTRUCTION

RECYCLED WATER
VALVE BOX AND LID

STANDARD DRAWING NO.

RW1

